

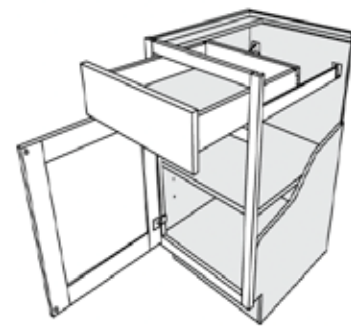
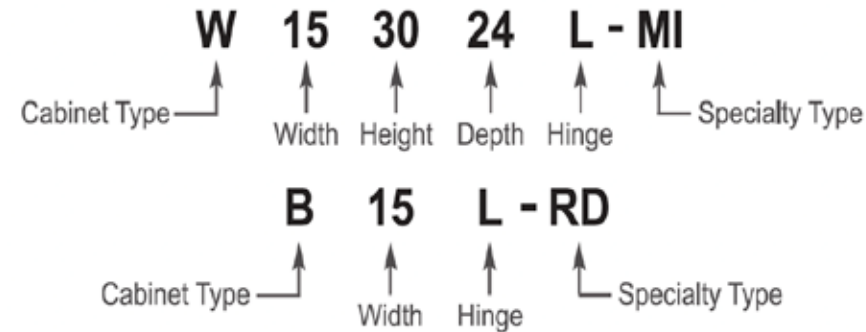


FUSION | DREAM
CABINET COMPANY | IN
COLOR

STANDARD CONSTRUCTION

If depth and height are not listed in nomenclature, refer below for dimensions.

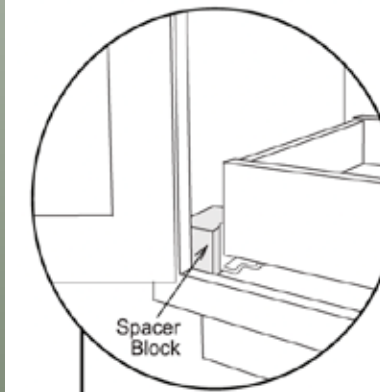
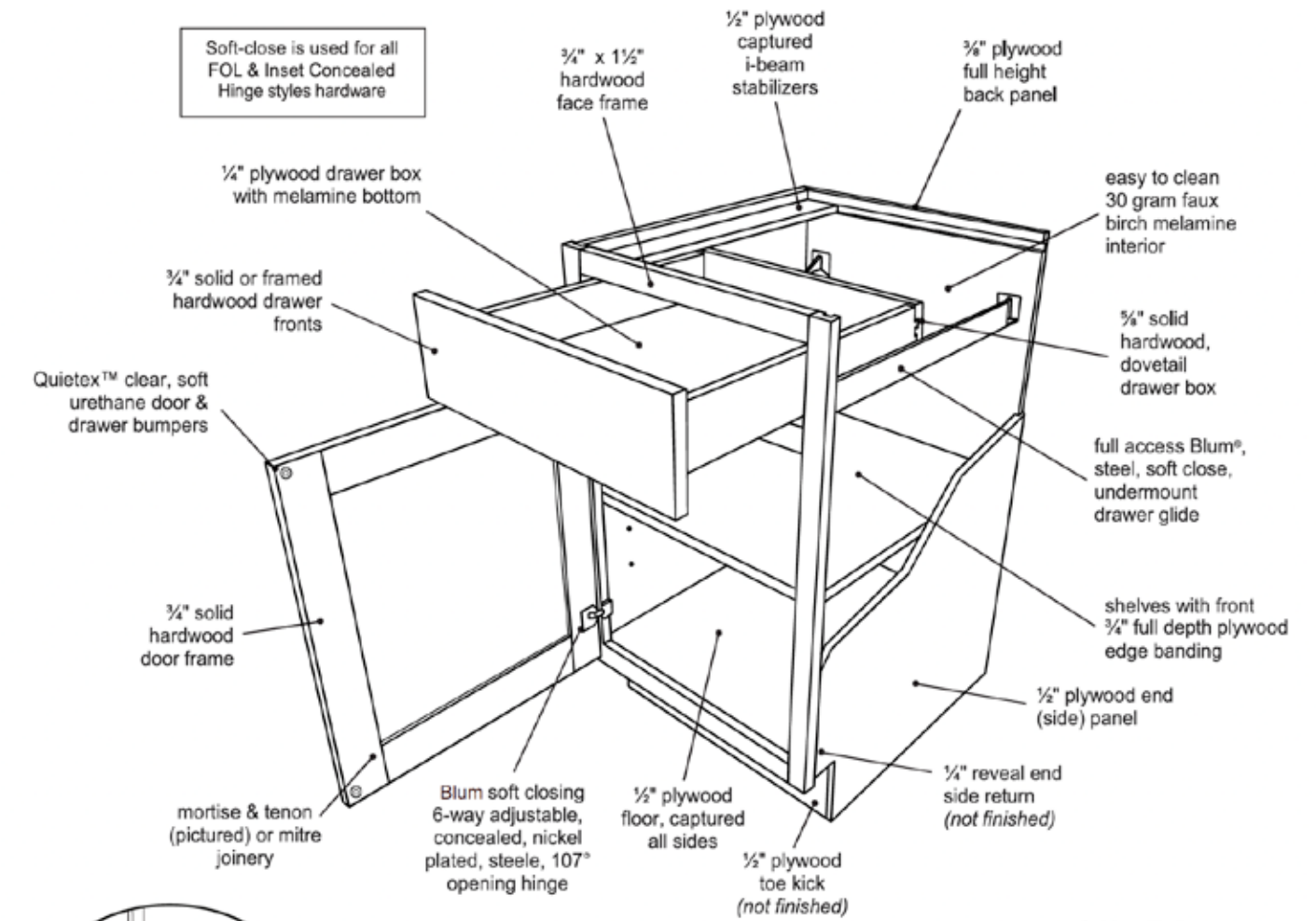
- Wall Cabinets: 12" depth (not including door/bumper)
- Base Cabinets: 34½" height
- Base Cabinets: 24" depth (not including door/bumper)
- Utility Cabinets: 24" depth (not including door/bumper)
- Vanity & Desk Base Cabinets: 21" depth (not including door/bumper)



STANDARD ALL PLYWOOD BOX CONSTRUCTION

- Sides, tops, bottoms, toekick and I-beams are constructed of ½" thick, 7-ply plywood with faux natural birch melamine interior
- Cabinet back panels are constructed of ¾" thick, 5-ply plywood with a faux natural birch melamine interior
- Cabinet drawer box bottom panels are constructed of ¼" thick, 3-ply plywood with a faux natural birch melamine interior
- Cabinet shelves are constructed of ¾" thick, 9-ply plywood and with faux natural birch melamine front, top and bottom
- All thicknesses have a Grade K veneer core. Grade K is the second highest veneer core grade (J, K, L and M) that specifies the faces of the plywood have minimal surface anomalies so that none telegraph through to the finished surfaces.
- All painted cabinets will have solid wood door frames with a center panel made of 47 lb/ft³, furniture-grade, medium-density fiberboard (HDF) to minimize future cracking of paint.

Wall, Base, and Utility cabinets are constructed using high quality materials and hardware. The illustration below identifies the components of a standard Base cabinet. Wall and Utility cabinets have similar construction. Please refer to Construction Notes below outlining differences.



Roll-Out Tray (ROT) for Inset & FOL ROT Hinge Placement

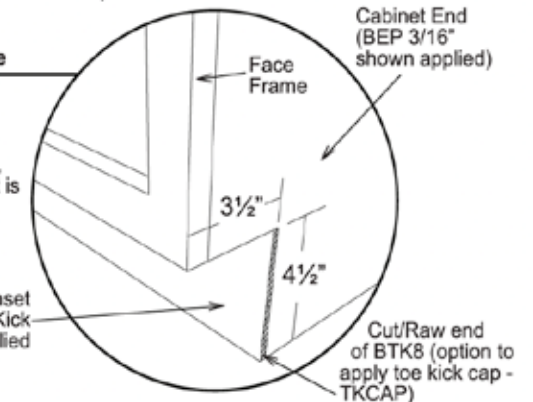
The Roll-Out Trays for Inset cabinets will have 'spacer' blocks inserted between the ROT and cabinet, for each side. This allows for full access of ROT without interference from the door (Inset Style) and hinge (FOL Style). The ROT-B and ROT-C (concealed inset hinge) are narrower than ROT-A.

FACTORY INSTALLED

Toe Kick - Inset area from face frame

Toe kick construction requires BTK8 matching toe kick—must be ordered separately. Putty stick and touch up marker are recommended for exposed, cut, raw ends of BTK8 and touch up kit is included in every sink base..

NOTE: When BTK8 is applied inset toe kick area is 3 5/16" deep



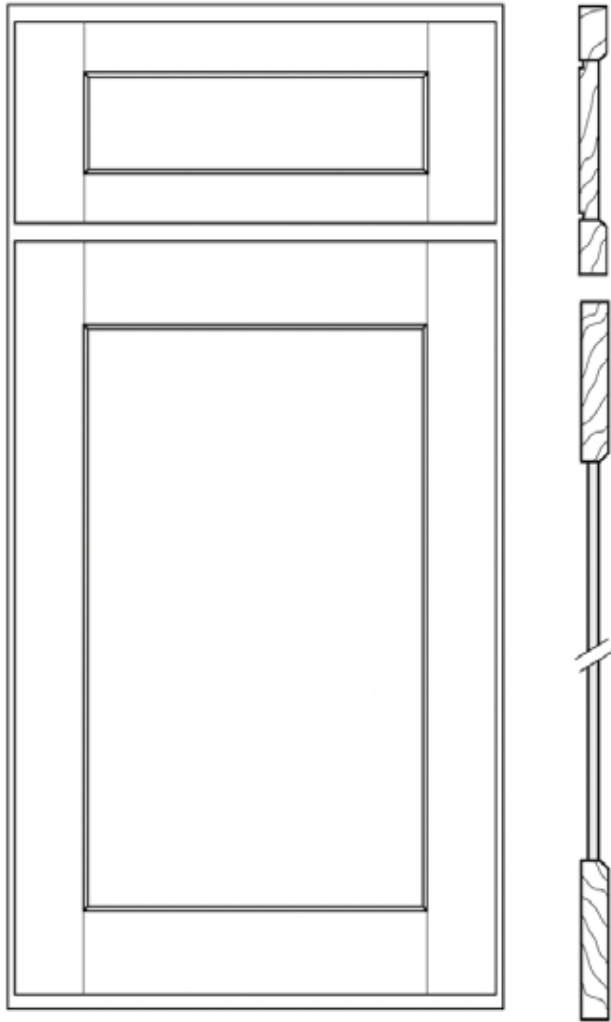
Construction Notes

- Wall & Utility cabinets have ½" plywood top and bottom
- Tops/Bottoms of cabinets unfinished plywood visible
- All cabinets 16-24" in depth feature plastic polymer locking shelf clips
- Wall cabinets feature decorative metal shelf rests
- All cabinets 9" - 21" wide have one door
- All cabinets 24" - 36" wide have two BUTT doors
- Cabinets wider than 36" will have a 3" center stile
- Recessed panel Drawer Base cabinets have ½" solid wood center panels

CONSTRUCTION

CONSTRUCTION

FUSION SHAKER

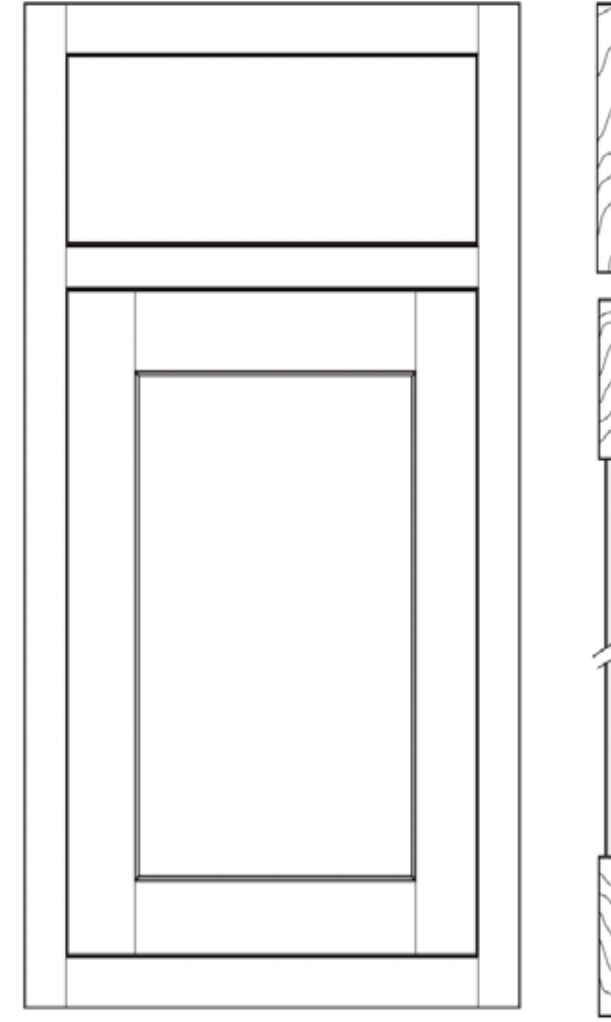


- Full Overlay Door
- 3/4" Solid Wood. 2 5/8" wide mortise & tenon door frame
- Veneered, engineered HDF core center panel
- Standard drawer front is reverse raised panel, 5-piece 5/8" solid hardwood center drawer front
- Decorative hardware required

AVAILABLE IN:

- Paint Grade
- Primer Grade
- Unfinished Maple
- Unfinished Walnut
- Unfinished Rift Oak

FUSION SHAKER INSET

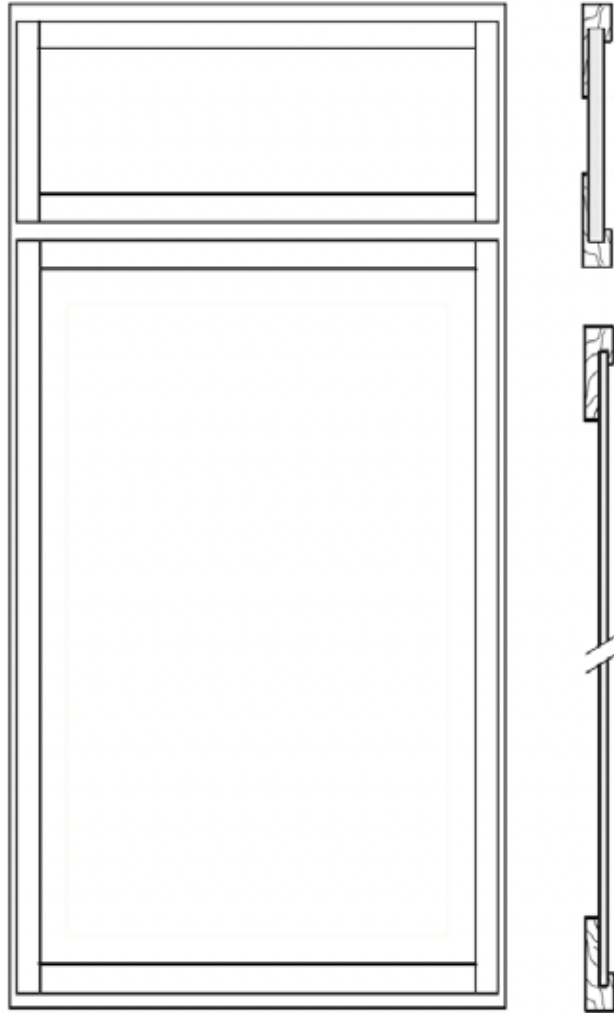


- Inset door with recessed panel
- 3/4" Solid Wood. 2 1/4" wide mortise & tenon door frame
- Veneered, engineered HDF core center panel
- Solid hardwood slab top drawer front
- All lower deep drawers have solid hardwood, reversed raised panel, 5-piece drawer fronts.
- Decorative hardware required

AVAILABLE IN:

- Paint Grade
- Primer Grade
- Unfinished Maple
- Unfinished Walnut
- Unfinished Rift Oak

FUSION SLIM SHAKER

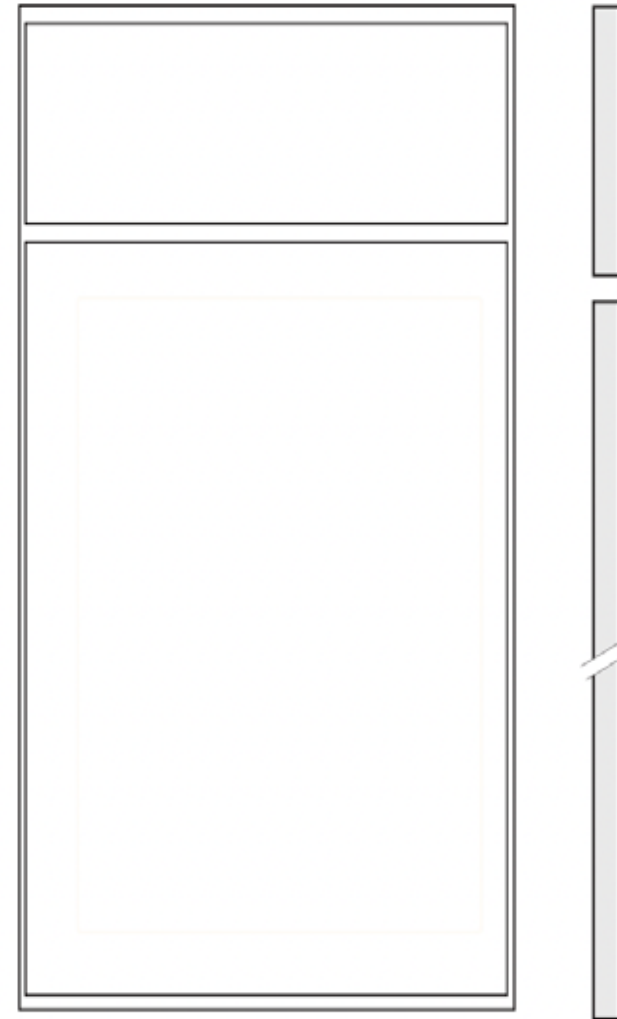


- Full Overlay Door
- 3/4" Solid Wood. 7/8" wide 5-piece door frame
- Veneered, engineered HDF core center panel
- Standard drawer front is 5-piece, 1/2" engineered HDF core center panel
- Decorative hardware required

AVAILABLE IN:

- Paint Grade
- Primer Grade
- Unfinished Maple
- Unfinished Walnut
- Unfinished Rift Oak

FUSION SLAB

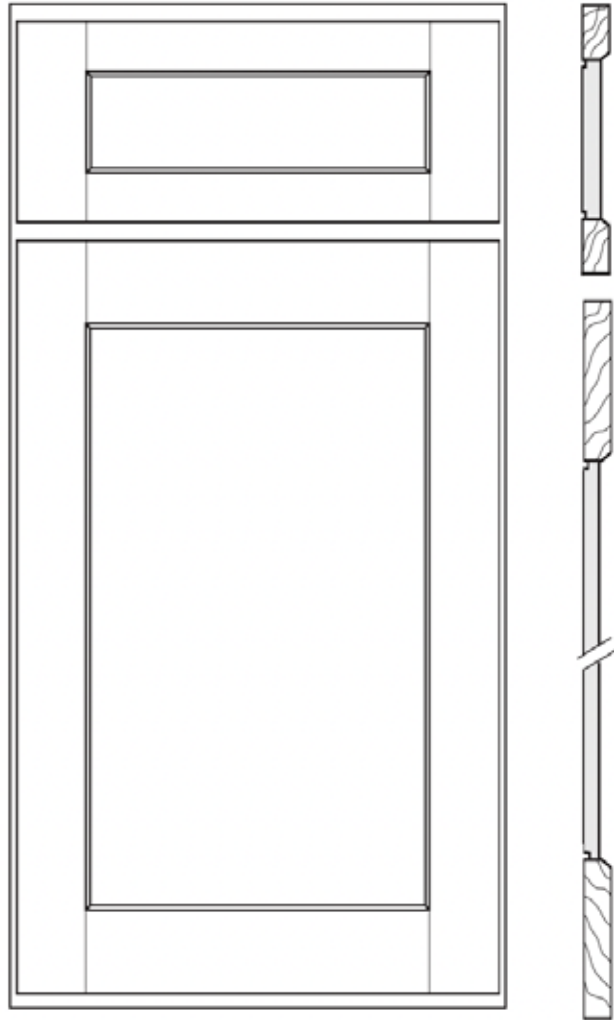


- Full Overlay door
- 3/4" slab door
- 3/4" slab drawer
- Decorative hardware required

AVAILABLE IN:

- Paint Grade
- Primer Grade
- Unfinished Maple
- Unfinished Walnut
- Unfinished Rift Oak

FORMA SHAKER



- Full Overlay Door
- 3/4" Solid Wood. 2 3/4" wide mortise & tenon door frame
- Veneered, engineered HDF core center panel
- Standard drawer front is reverse raised panel, 5-piece 5/8" solid hardwood center drawer front
- Decorative hardware required

AVAILABLE IN:

- Cashew (RSK)
- Dusk (RSD)

FORMA LYNDALE RAISED PANEL



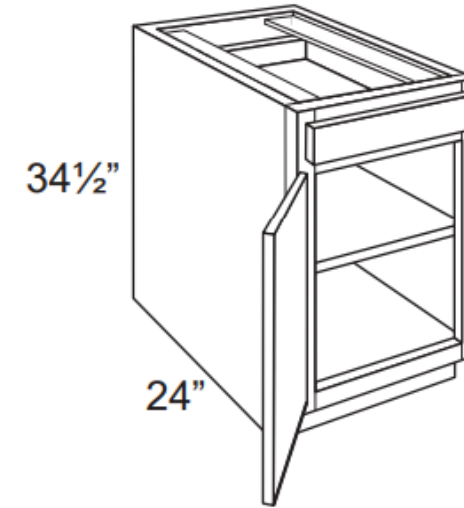
- Full Overlay Door
- 3/4" Solid Wood. 2 5/8" wide mortise & tenon door frame
- Solid HDF substrate, raised, center door panel
- Standard drawer front is reverse raised panel, 5-piece 5/8" solid hardwood center drawer front
- Decorative hardware required

AVAILABLE IN:

- Prime (28PRM)

BASE CABINETS

12", 15", 18", 21"



DIMENSIONS

SKU	WIDTH	HEIGHT	DEPTH
B12	12	34.5	24
B15	15	34.5	24
B18	18	34.5	24
B21	21	34.5	24

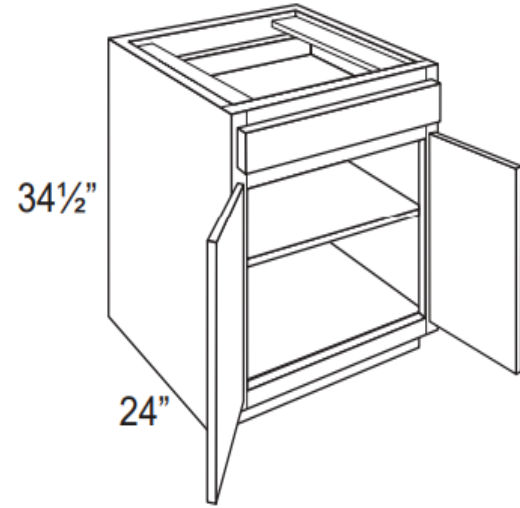
Notes:

MODIFICATIONS

D&F	FE	RD	ID	RH	RW	MI1	MI2	MI3	RDTK	RCTK	PFG
X	X	X	X					X	X	X	

BASE BUTT DOORS

24", 27", 30", 33", 36"



DIMENSIONS

SKU	WIDTH	HEIGHT	DEPTH
B24	24	34.5	24
B27	27	34.5	24
B30	30	34.5	24
B33	33	34.5	24
B36	36	34.5	24

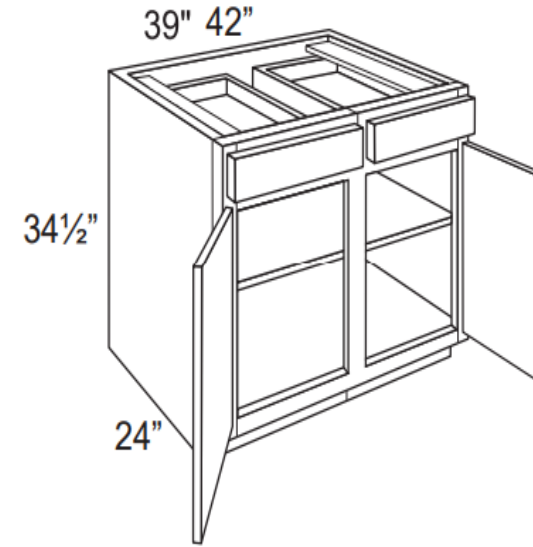
Notes:

MODIFICATIONS

D&F	FE	RD	ID	RH	RW	MI1	MI2	MI3	RDTK	RCTK	PFG
X	X	X	X					X	X	X	

BASE WITH CENTER STILE

DIMENSIONS



SKU	WIDTH	HEIGHT	DEPTH
B39C	39	34.5	24
B42C	42	34.5	24

Notes:

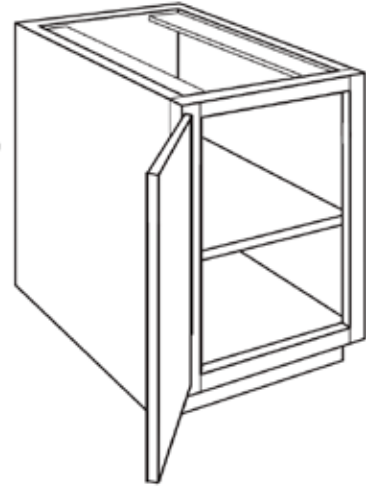
MODIFICATIONS

D&F	FE	RD	ID	RH	RW	MI1	MI2	MI3	RDTK	RCTK	PFG
X	X	X	X					X	X	X	

**BASE FULL HEIGHT DOOR
1 DOOR**

9", 12", 15", 18", 21"

34½"



DIMENSIONS

SKU	WIDTH	HEIGHT	DEPTH
B09FH	9	34.5	24
B12FH	12	34.5	24
B15FH	15	34.5	24
B18FH	18	34.5	24
B21FH	21	34.5	24

Notes:

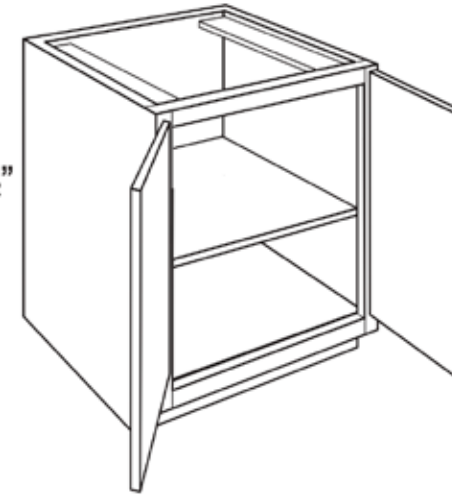
MODIFICATIONS

D&F	FE	RD	ID	RH	RW	MI1	MI2	MI3	RDTK	RCTK	PFG
X	X	X	X					X	X	X	

**BASE FULL HEIGHT DOOR
2 DOORS**

24", 27", 30", 33", 36"

34½"



DIMENSIONS

SKU	WIDTH	HEIGHT	DEPTH
B24FH	24	34.5	24
B27FH	27	34.5	24
B30FH	30	34.5	24
B33FH	33	34.5	24
B36FH	36	34.5	24

Notes:

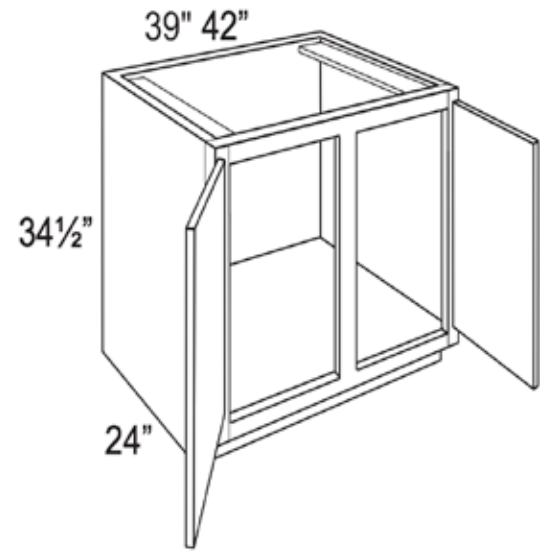
MODIFICATIONS

D&F	FE	RD	ID	RH	RW	MI1	MI2	MI3	RDTK	RCTK	PFG
X	X	X	X					X	X	X	

BASE FULL HEIGHT WITH CENTER STILE

DIMENSIONS

SKU	WIDTH	HEIGHT	DEPTH
B39CFH	39	34.5	24
B42CFH	42	34.5	24



Notes:

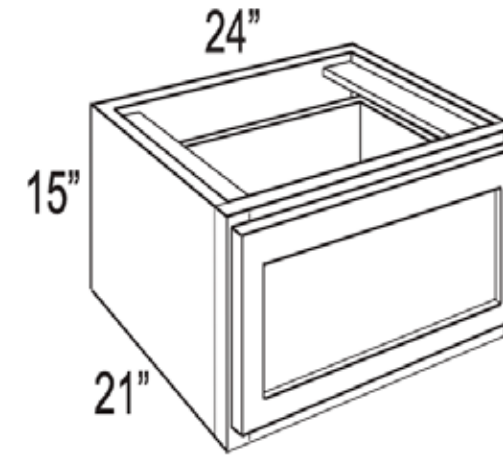
MODIFICATIONS

D&F	FE	RD	ID	RH	RW	MI1	MI2	MI3	RDTK	RCTK	PFG
X	X	X	X					X	X	X	

BASE 1 DRAWER

DIMENSIONS

SKU	WIDTH	HEIGHT	DEPTH
DB24-1	24	15	21



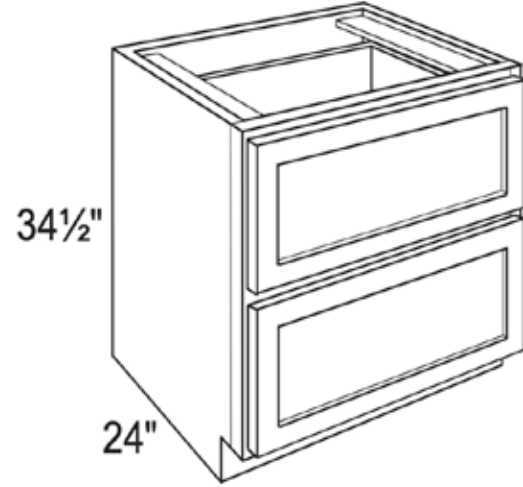
Notes:

MODIFICATIONS

D&F	FE	RD	ID	RH	RW	MI1	MI2	MI3	RDTK	RCTK	PFG
X	X	X	X						X	X	

BASE 2 DRAWER

15", 30", 33", 36"



DIMENSIONS

SKU	WIDTH	HEIGHT	DEPTH
2DB15	15	34.5	24
2DB30	30	34.5	24
2DB33	33	34.5	24
2DB36	36	34.5	24

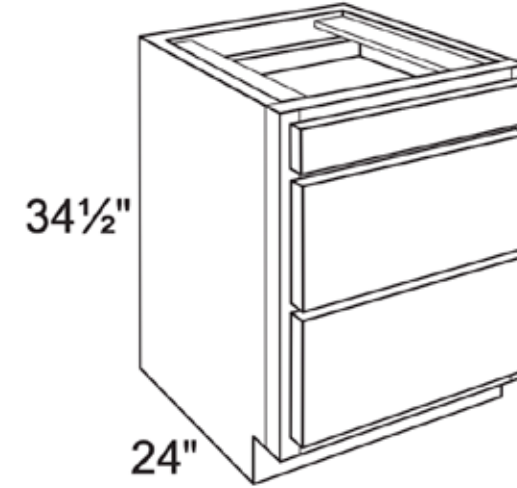
Notes:

MODIFICATIONS

D&F	FE	RD	ID	RH	RW	MI1	MI2	MI3	RDTK	RCTK	PFG
X	X	X							X	X	

BASE 3 DRAWER

12", 15", 18", 21"
24", 27", 30", 33", 36"



DIMENSIONS

SKU	WIDTH	HEIGHT	DEPTH
3DB12	12	34.5	24
3DB15	15	34.5	24
3DB18	18	34.5	24
3DB21	21	34.5	24
3DB24	24	34.5	24
3DB27	27	34.5	24
3DB30	30	34.5	24
3DB33	33	34.5	24
3DB36	36	34.5	24

Notes:

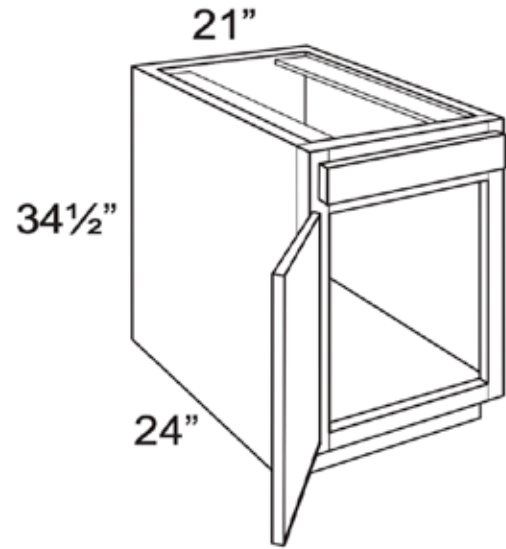
MODIFICATIONS

D&F	FE	RD	ID	RH	RW	MI1	MI2	MI3	RDTK	RCTK	PFG
X	X	X							X	X	

SINK BASE SINGLE DOOR

DIMENSIONS

SKU	WIDTH	HEIGHT	DEPTH
SB21	21	34.5	24



Notes:

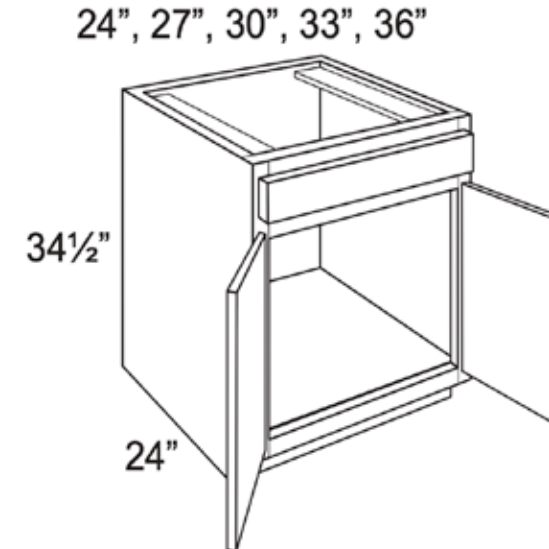
MODIFICATIONS

D&F	FE	RD	ID	RH	RW	MI1	MI2	MI3	RDTK	RCTK	PFG
X	X	X	X					X	X	X	X

SINK BASE BUTT DOORS

DIMENSIONS

SKU	WIDTH	HEIGHT	DEPTH
SB24	24	34.5	24
SB27	27	34.5	24
SB30	30	34.5	24
SB33	33	34.5	24
SB36	36	34.5	24



Notes:

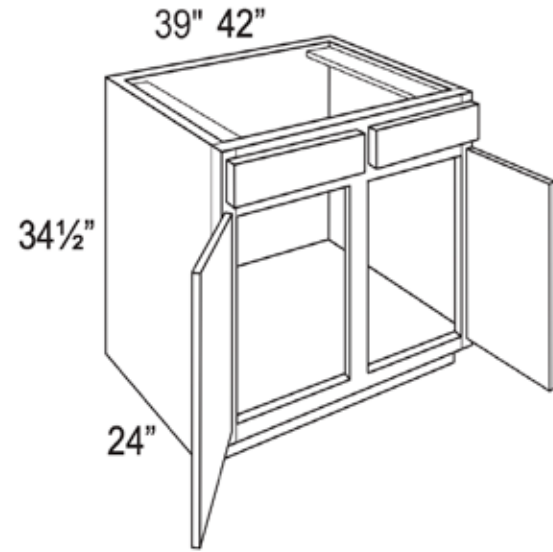
MODIFICATIONS

D&F	FE	RD	ID	RH	RW	MI1	MI2	MI3	RDTK	RCTK	PFG
X	X	X	X					X	X	X	X

SINK BASE WITH CENTER STILE

DIMENSIONS

SKU	WIDTH	HEIGHT	DEPTH
SB39C	39	34.5	24
SB42C	42	34.5	24



Notes:

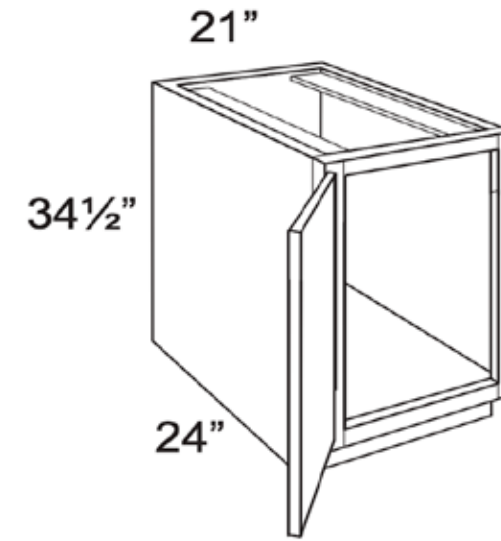
MODIFICATIONS

D&F	FE	RD	ID	RH	RW	MI1	MI2	MI3	RDTK	RCTK	PFG
X	X	X	X					X	X	X	X

SINK BASE FULL HEIGHT DOOR

DIMENSIONS

SKU	WIDTH	HEIGHT	DEPTH
SB21FH	21	34.5	24



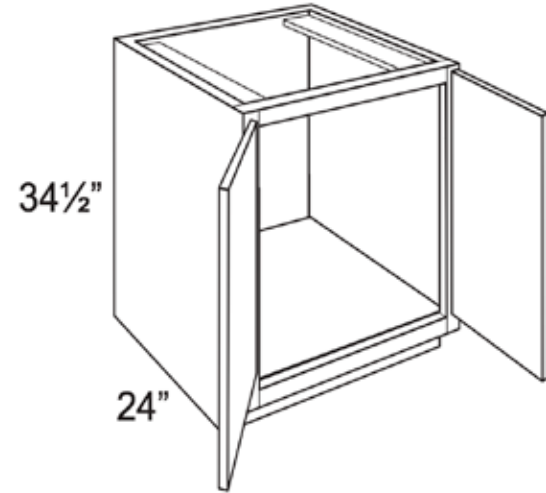
Notes:

MODIFICATIONS

D&F	FE	RD	ID	RH	RW	MI1	MI2	MI3	RDTK	RCTK	PFG
X	X	X	X					X	X	X	X

SINK BASE FULL HEIGHT BUTT DOORS

24", 27", 30", 33", 36"



DIMENSIONS

SKU	WIDTH	HEIGHT	DEPTH
SB24FH	24	34.5	24
SB27FH	27	34.5	24
SB30FH	30	34.5	24
SB33FH	33	34.5	24
SB36FH	36	34.5	24

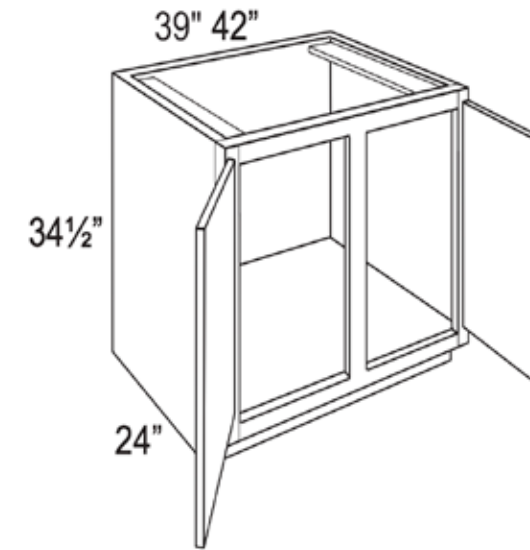
Notes:

MODIFICATIONS

D&F	FE	RD	ID	RH	RW	MI1	MI2	MI3	RDTK	RCTK	PFG
X	X	X	X					X	X	X	X

**SINK BASE FULL HEIGHT WITH CENTER
STILE**

DIMENSIONS



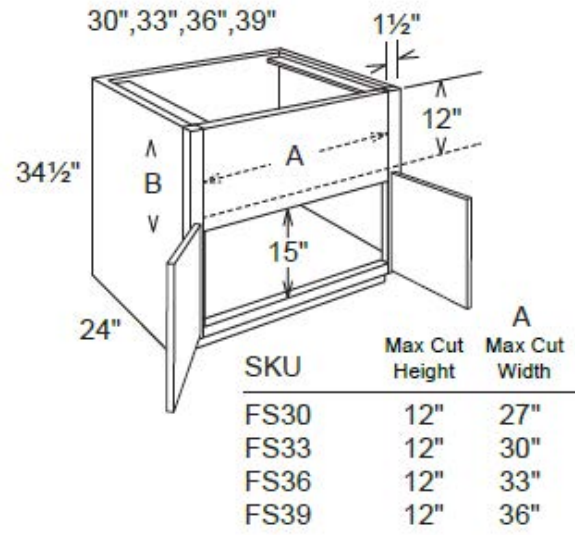
SKU	WIDTH	HEIGHT	DEPTH
SB39CFH	39	34.5	24
SB42CFH	42	34.5	24

Notes:

MODIFICATIONS

D&F	FE	RD	ID	RH	RW	MI1	MI2	MI3	RDTK	RCTK	PFG
X	X	X	X					X	X	X	X

FARM SINK BASE



DIMENSIONS

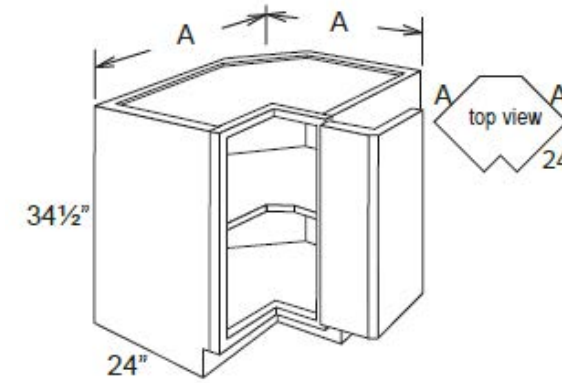
SKU	WIDTH	HEIGHT	DEPTH
FS30	30	34.5	24
FS33	33	34.5	24
FS36	36	34.5	24
FS39	39	34.5	24

Notes:

MODIFICATIONS

D&F	FE	RD	ID	RH	RW	MI1	MI2	MI3	RDTK	RCTK	PFG
X	X	X	X					X	X	X	X

BASE CORNER - EASY REACH



DIMENSIONS

SKU	WIDTH	HEIGHT	DEPTH
BER33	33	34.5	24
BER36	36	34.5	24

Notes:

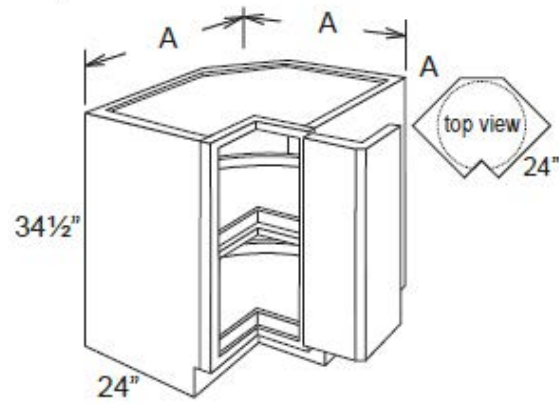
MODIFICATIONS

D&F	FE	RD	ID	RH	RW	MI1	MI2	MI3	RDTK	RCTK	PFG
	X								X	X	

BASE LAZY SUSAN

DIMENSIONS

SKU	WIDTH	HEIGHT	DEPTH
LSB33	33	34.5	24
LSB36	36	34.5	24



Notes:

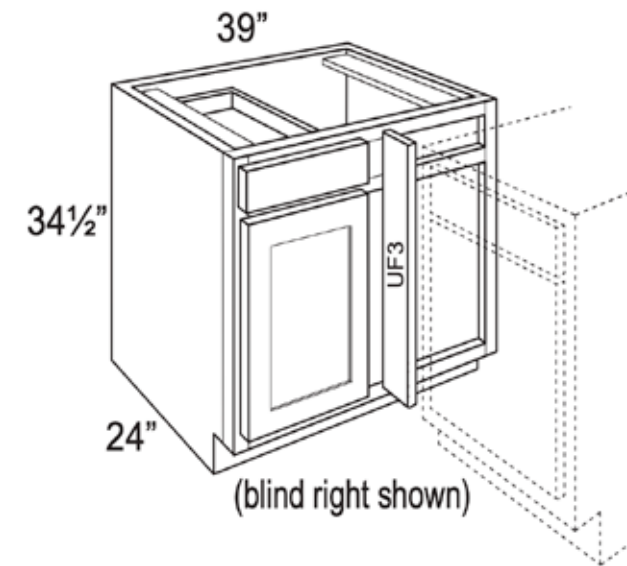
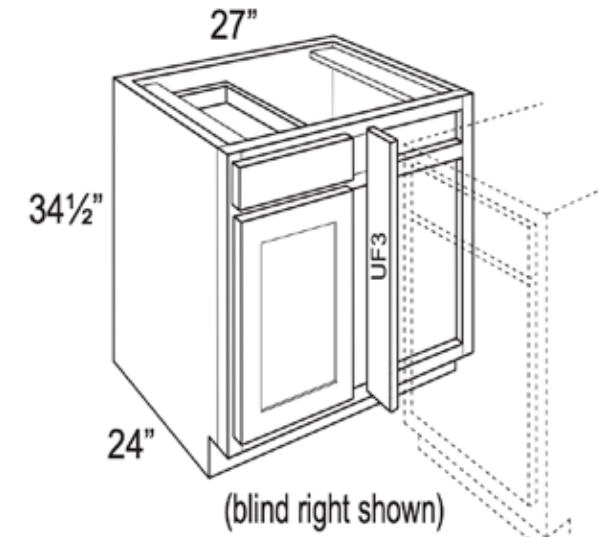
MODIFICATIONS

D&F	FE	RD	ID	RH	RW	MI1	MI2	MI3	RDTK	RCTK	PFG
	X								X	X	

BASE CORNER - BLIND WITH DRAWER

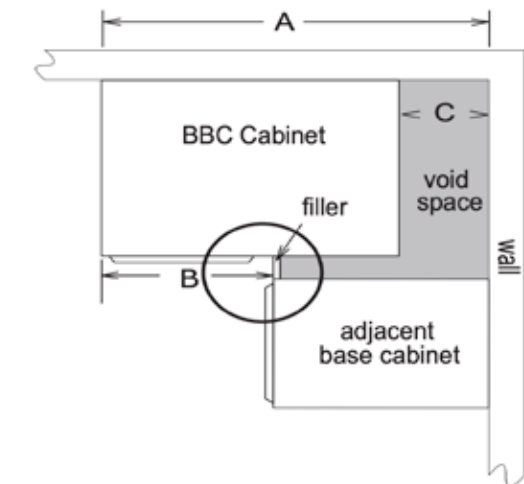
DIMENSIONS

SKU	WIDTH	HEIGHT	DEPTH
BBC36/39	27	34.5	24
BBC42/45	39	34.5	24



Notes:

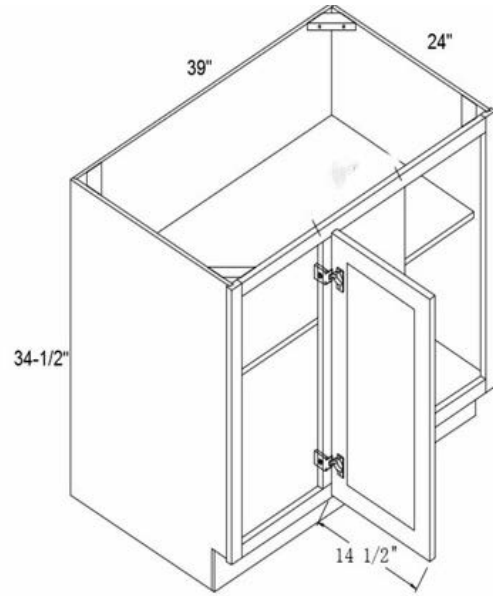
	actual cabinet width	pull	min.	max.
BBC36/39	27"	A	37-3/4"	39-3/4"
BBC36/39	27"	B	13-3/4"	15-3/4"
BBC36/39	27"	C	10-3/4"	12-3/4"
BBC42/45	39"	A	43-3/4"	45-3/4"
BBC42/45	39"	B	19-3/4"	21-3/4"
BBC42/45	39"	C	4-3/4"	6-3/4"



MODIFICATIONS

D&F	FE	RD	ID	RH	RW	MI1	MI2	MI3	RDTK	RCTK	PFG
	X								X	X	

**BASE CORNER - BLIND
FULL HEIGHT**



DIMENSIONS

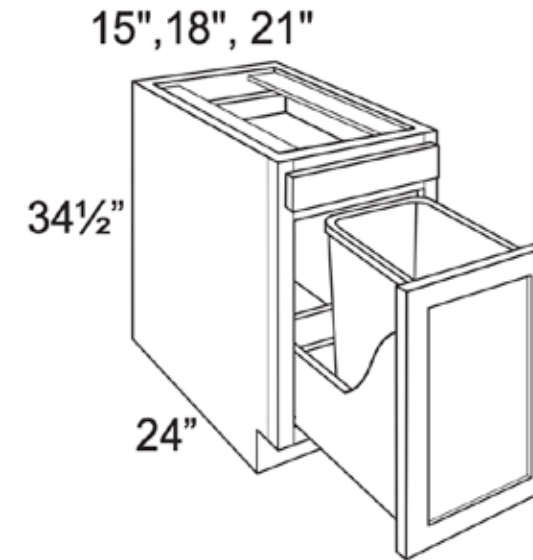
SKU	WIDTH	HEIGHT	DEPTH
BBC36/39FH	36	34.5	24
BBC42/45FH	42	34.5	24

Notes:

MODIFICATIONS

D&F	FE	RD	ID	RH	RW	MI1	MI2	MI3	RDTK	RCTK	PFG
	X								X	X	

**BASE WASTE BASKET
WITH DRAWER**



DIMENSIONS

SKU	WIDTH	HEIGHT	DEPTH
B15-WB	15	34.5	24
B18-WB	18	34.5	24
B21-WB	21	34.5	24

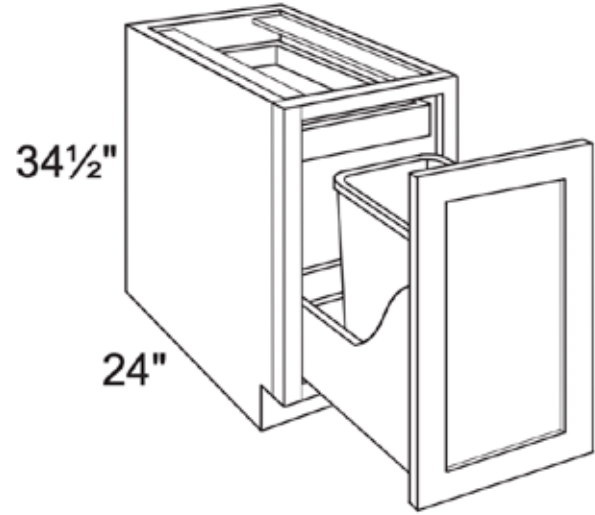
Notes:

MODIFICATIONS

D&F	FE	RD	ID	RH	RW	MI1	MI2	MI3	RDTK	RCTK	PFG
									X	X	

**BASE FULL WASTE BASKET
FULL HEIGHT**

15", 18", 21"



DIMENSIONS

SKU	WIDTH	HEIGHT	DEPTH
B15FH-WB	15	34.5	24
B18FH-WB	18	34.5	24
B21FH-WB	21	34.5	24

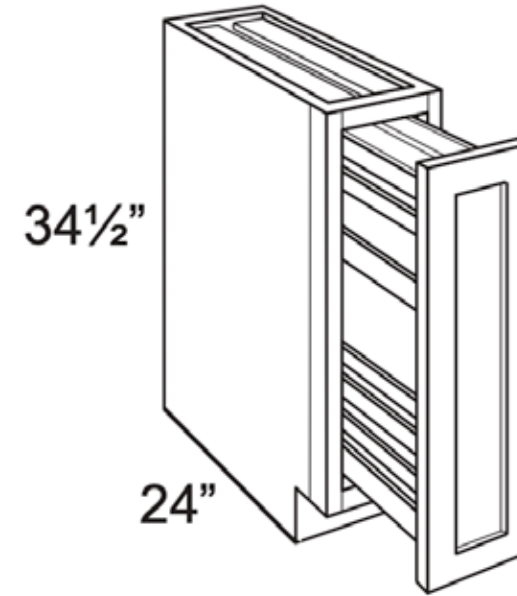
Notes:

MODIFICATIONS

D&F	FE	RD	ID	RH	RW	MI1	MI2	MI3	RDTK	RCTK	PFG
									X	X	

BASE SPICE RACK FULL HEIGHT

9", 12"



DIMENSIONS

SKU	WIDTH	HEIGHT	DEPTH
B09SP	9	34.5	24
B12SP	12	34.5	24

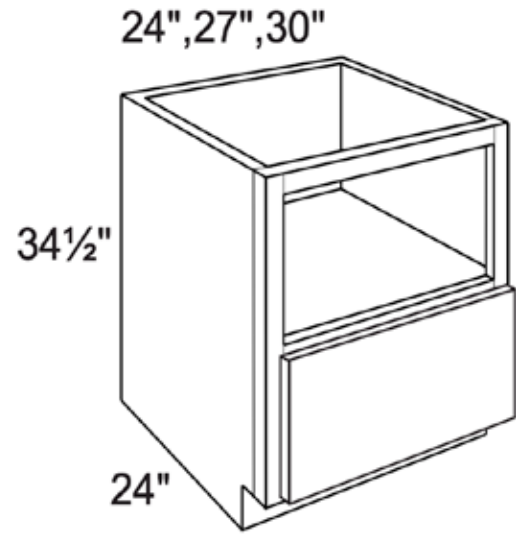
Notes:

MODIFICATIONS

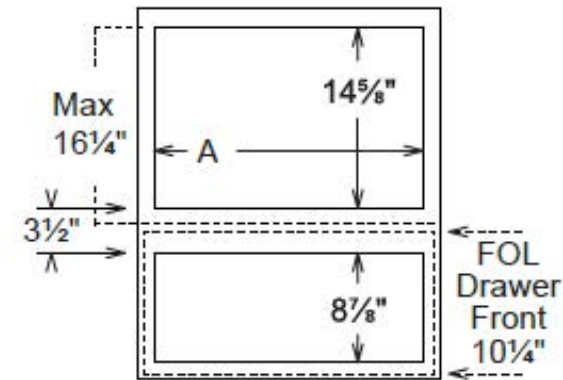
D&F	FE	RD	ID	RH	RW	MI1	MI2	MI3	RDTK	RCTK	PFG
									X	X	

BASE MICROWAVE BUILT IN

DIMENSIONS



SKU	WIDTH	HEIGHT	DEPTH
BMD24-BI	24	34.5	24
BMD27-BI	24	34.5	24
BMD30-BI	24	34.5	24



SKU	A Actual Width	A Max Width
BMD24-BI	21"	22 1/2"
BMD27-BI	24"	25 1/2"
BMD30-BI	27"	28 1/2"

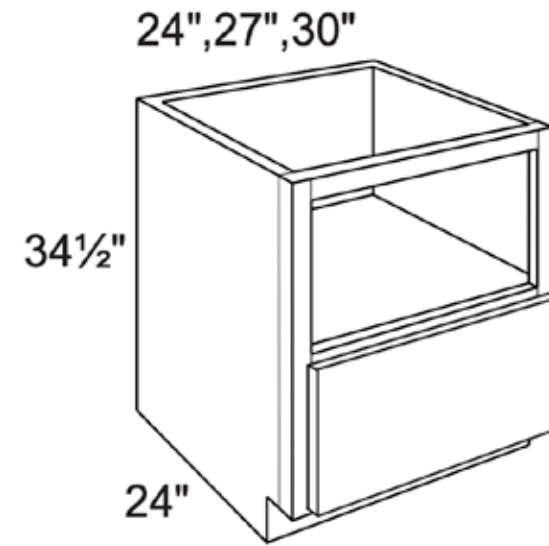
Notes:

MODIFICATIONS

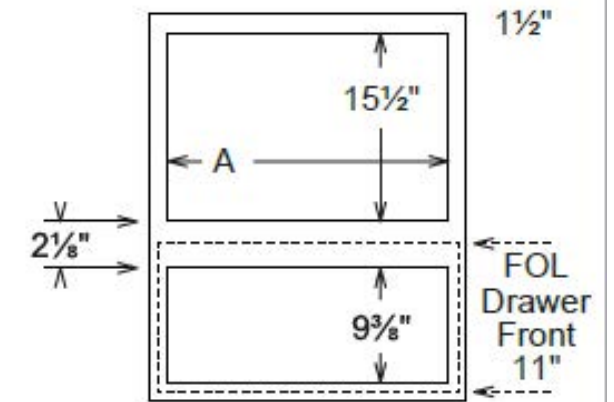
D&F	FE	RD	ID	RH	RW	MI1	MI2	MI3	RDTK	RCTK	PFG
	X	X	X								

BASE MICROWAVE COUNTERTOP

DIMENSIONS



SKU	WIDTH	HEIGHT	DEPTH
BMD24-CT	24	34.5	24
BMD27-CT	24	34.5	24
BMD30-CT	24	34.5	24

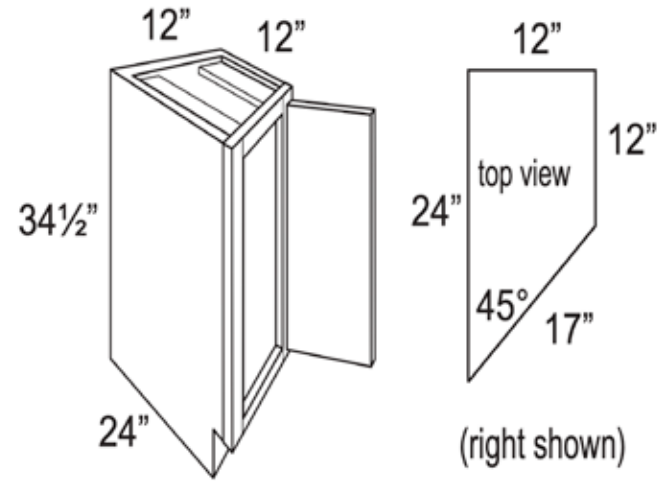


SKU	A Actual Width
BMD24-CT	21"
BMD27-CT	24"
BMD30-CT	27"

Notes:

MODIFICATIONS

D&F	FE	RD	ID	RH	RW	MI1	MI2	MI3	RDTK	RCTK	PFG
	X	X	X								



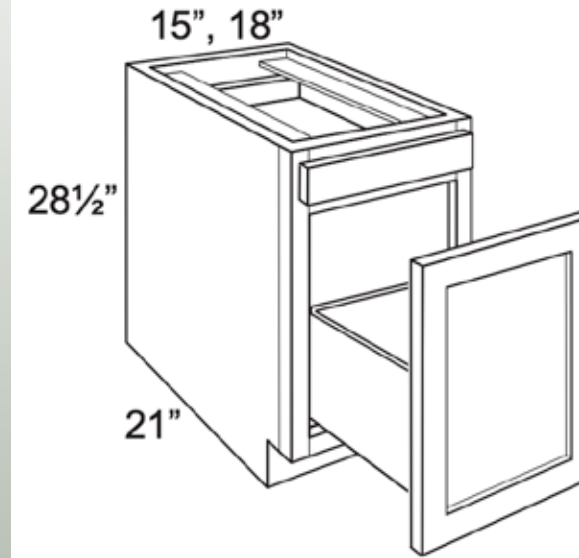
DIMENSIONS

SKU	WIDTH	HEIGHT	DEPTH
BEA12FH	12	34.5	24

Notes:

MODIFICATIONS

D&F	FE	RD	ID	RH	RW	MI1	MI2	MI3	RDTK	RCTK	PFG
X	X	X						X	X	X	



DIMENSIONS

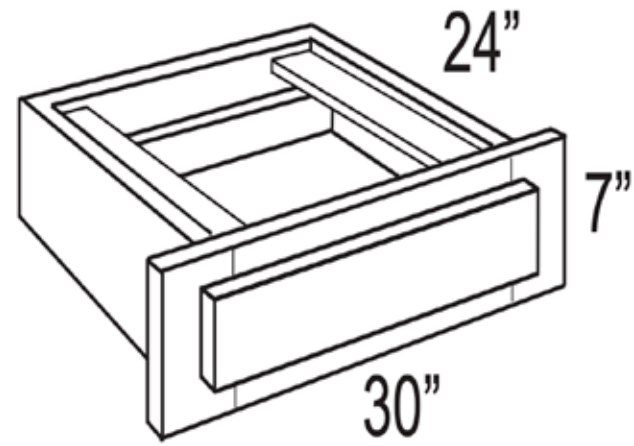
SKU	WIDTH	HEIGHT	DEPTH
FDB15	15	34.5	24
FDB18	18	34.5	24

Notes:

MODIFICATIONS

D&F	FE	RD	ID	RH	RW	MI1	MI2	MI3	RDTK	RCTK	PFG
	X		X						X	X	

BASE KNEE DRAWER



DIMENSIONS

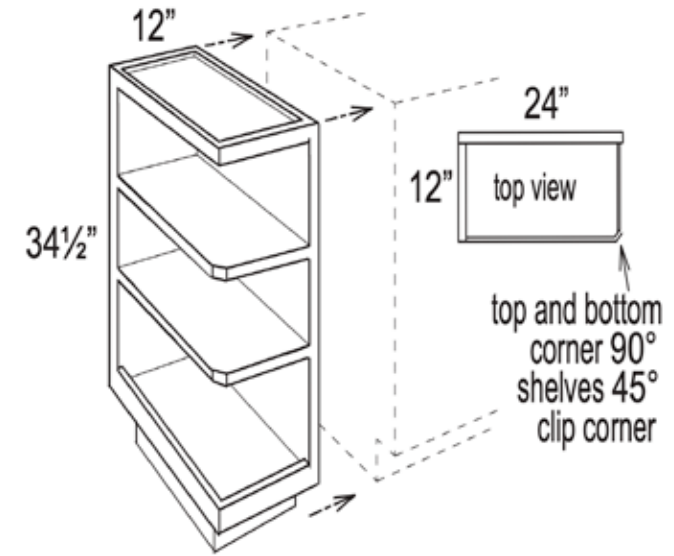
SKU	WIDTH	HEIGHT	DEPTH
FKD30/27	30	7	24

Notes:

MODIFICATIONS

D&F	FE	RD	ID	RH	RW	MI1	MI2	MI3	RDTK	RCTK	PFG

BASE OPEN SHELF



DIMENSIONS

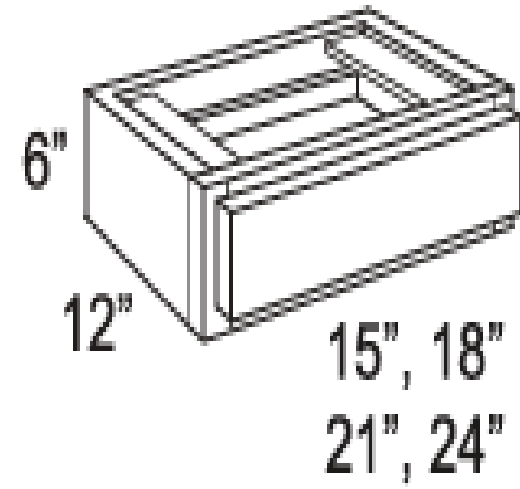
SKU	WIDTH	HEIGHT	DEPTH
BES12	12	34.5	24

Notes:

MODIFICATIONS

D&F	FE	RD	ID	RH	RW	MI1	MI2	MI3	RDTK	RCTK	PFG
								X	X	X	

WALL CABINETS



DIMENSIONS

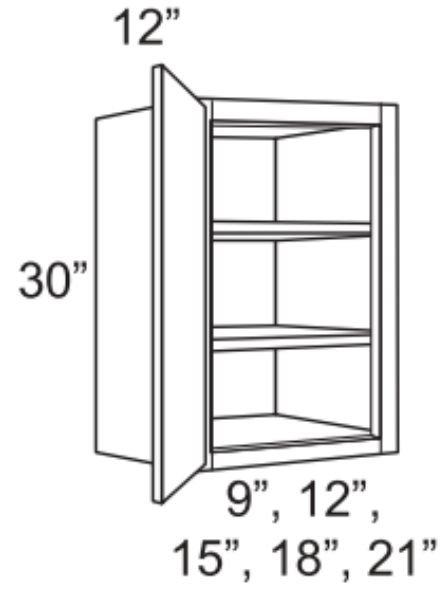
SKU	WIDTH	HEIGHT	DEPTH
FWD1506	15	5.5	12
FWD1806	18	5.5	12
FWD2106	21	5.5	12
FWD2406	24	5.5	12

Notes:

MODIFICATIONS

D&F	FE	RD	ID	RH	RW	MI1	MI2	MI3	RDTK	RCTK	PFG
	X	X	X	X	X						

WALL 30" HIGH SINGLE DOOR



DIMENSIONS

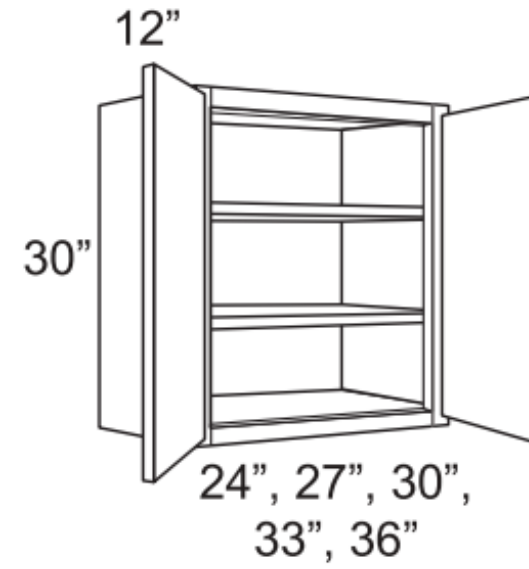
SKU	WIDTH	HEIGHT	DEPTH
W0930	9	30	12
W1230	12	30	12
W1530	15	30	12
W1830	18	30	12
W2130	21	30	12

Notes:

MODIFICATIONS

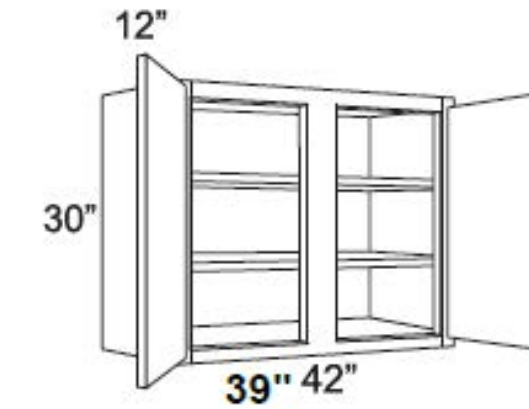
D&F	FE	RD	ID	RH	RW	MI1	MI2	MI3	RDTK	RCTK	PFG
X	X	X	X	X	X	X	X				X

WALL 30" HIGH BUTT DOORS



DIMENSIONS

SKU	WIDTH	HEIGHT	DEPTH
W2430	24	30	12
W2730	27	30	12
W3030	30	30	12
W3330	33	30	12
W3630	36	30	12
W3930	36	30	12
W4230	42	30	12

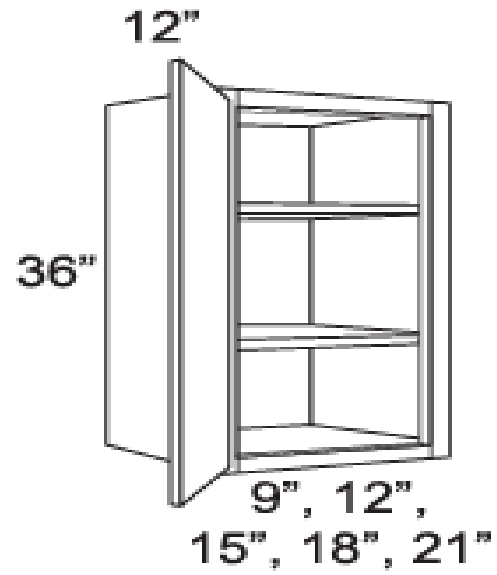


Notes:

MODIFICATIONS

D&F	FE	RD	ID	RH	RW	MI1	MI2	MI3	RDTK	RCTK	PFG
X	X	X	X	X	X		X	X			X

WALL 36" HIGH SINGLE DOOR



DIMENSIONS

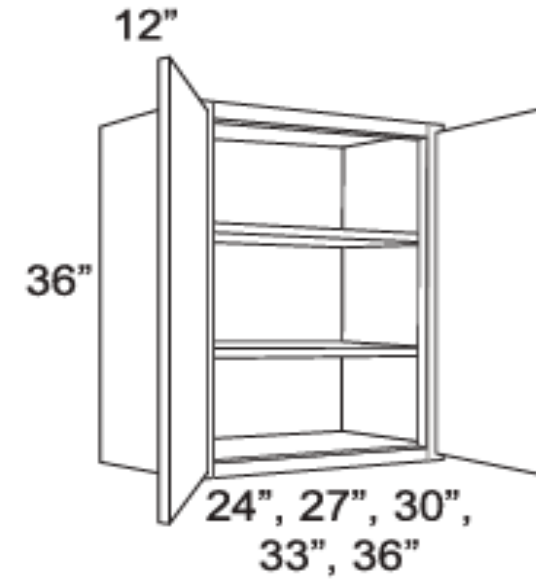
SKU	WIDTH	HEIGHT	DEPTH
W0936	9	36	12
W1236	12	36	12
W1536	15	36	12
W1836	18	36	12
W2136	21	36	12

Notes:

MODIFICATIONS

D&F	FE	RD	ID	RH	RW	MI1	MI2	MI3	RDTK	RCTK	PFG
X	X	X	X	X	X	X	X				X

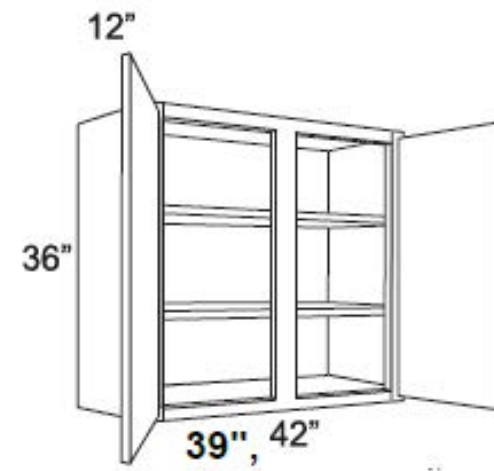
WALL 36" HIGH BUTT DOORS



DIMENSIONS

SKU	WIDTH	HEIGHT	DEPTH
W2436	24	36	12
W2736	27	36	12
W3036	30	36	12
W3336	33	36	12
W3636	36	36	12
W3936	36	36	12
W4236	42	36	12

Notes:



MODIFICATIONS

D&F	FE	RD	ID	RH	RW	MI1	MI2	MI3	RDTK	RCTK	PFG
X	X	X	X	X	X		X	X			X

WALL 39" HIGH SINGLE DOOR



DIMENSIONS

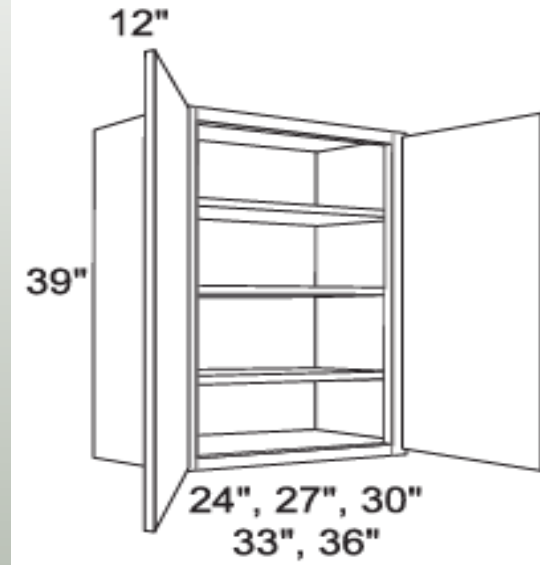
SKU	WIDTH	HEIGHT	DEPTH
W0939	9	39	12
W1239	12	39	12
W1539	15	39	12
W1839	18	39	12
W2139	21	39	12

Notes:

MODIFICATIONS

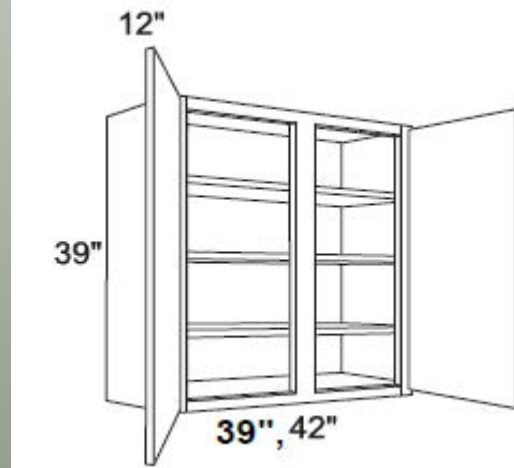
D&F	FE	RD	ID	RH	RW	MI1	MI2	MI3	RDTK	RCTK	PFG
X	X	X	X	X	X	X	X				X

WALL 39" HIGH BUTT DOORS



DIMENSIONS

SKU	WIDTH	HEIGHT	DEPTH
W2439	24	39	12
W2739	27	39	12
W3039	30	39	12
W3339	33	39	12
W3639	36	39	12
W3939	39	39	12
W4239	42	39	12



Notes:

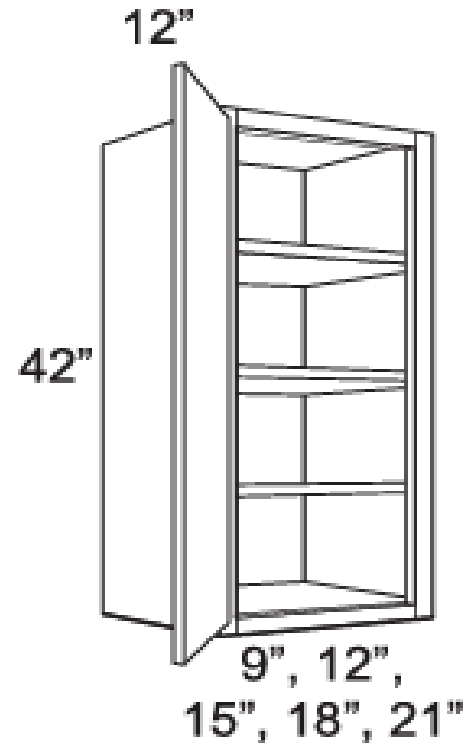
MODIFICATIONS

D&F	FE	RD	ID	RH	RW	MI1	MI2	MI3	RDTK	RCTK	PFG
X	X	X	X	X	X		X	X			X

WALL 42" HIGH SINGLE DOOR

DIMENSIONS

SKU	WIDTH	HEIGHT	DEPTH
W0942	9	42	12
W1242	12	42	12
W1542	15	42	12
W1842	18	42	12
W2142	21	42	12



Notes:

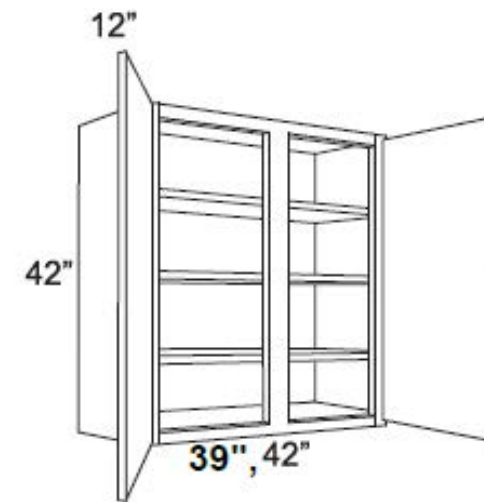
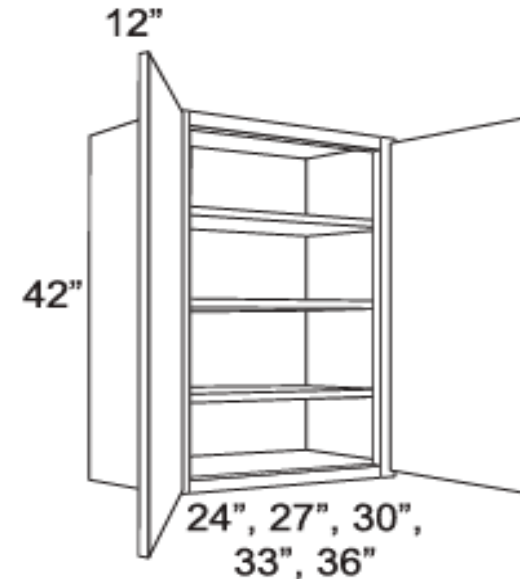
MODIFICATIONS

D&F	FE	RD	ID	RH	RW	MI1	MI2	MI3	RDTK	RCTK	PFG
X	X	X	X	X	X	X	X				X

WALL 42" HIGH BUTT DOORS

DIMENSIONS

SKU	WIDTH	HEIGHT	DEPTH
W2442	24	42	12
W2742	27	42	12
W3042	30	42	12
W3342	33	42	12
W3642	36	42	12
W3942	39	42	12
W4242	42	42	12



Notes:

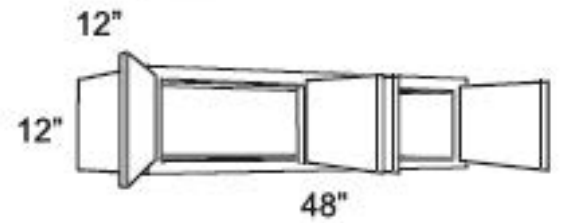
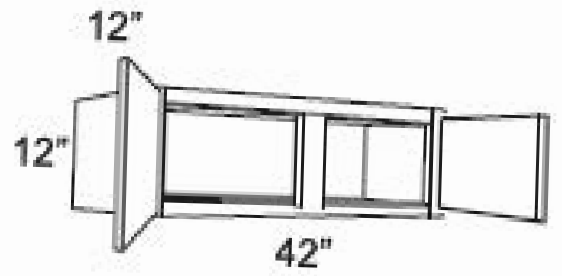
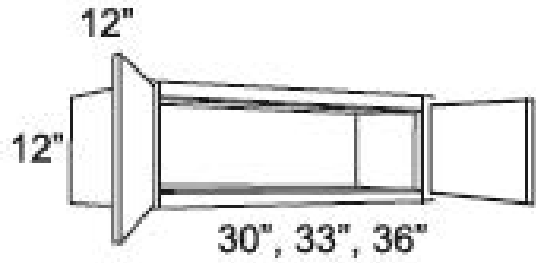
MODIFICATIONS

D&F	FE	RD	ID	RH	RW	MI1	MI2	MI3	RDTK	RCTK	PFG
X	X	X	X	X	X		X	X			X

WALL 12" HIGH BUTT DOORS

DIMENSIONS

SKU	WIDTH	HEIGHT	DEPTH
W3012	30	12	12
W3312	33	12	12
W3612	36	12	12
W4212	42	12	12
W4812	48	12	12



Notes:

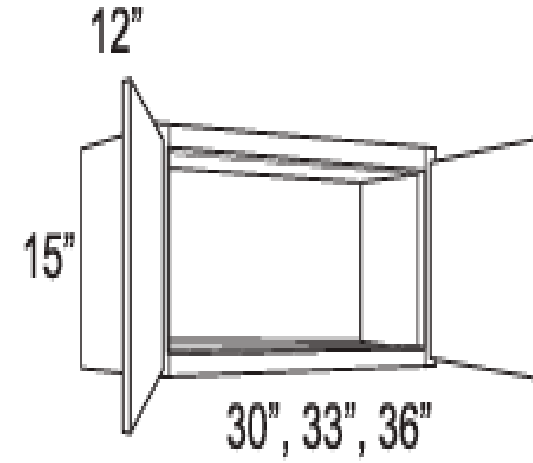
MODIFICATIONS

D&F	FE	RD	ID	RH	RW	MI1	MI2	MI3	RDTK	RCTK	PFG
X	X	X	X	X	X	X		X			X

WALL 15" HIGH BUTT DOORS

DIMENSIONS

SKU	WIDTH	HEIGHT	DEPTH
W3015	30	15	12
W3315	33	15	12
W3615	36	15	12



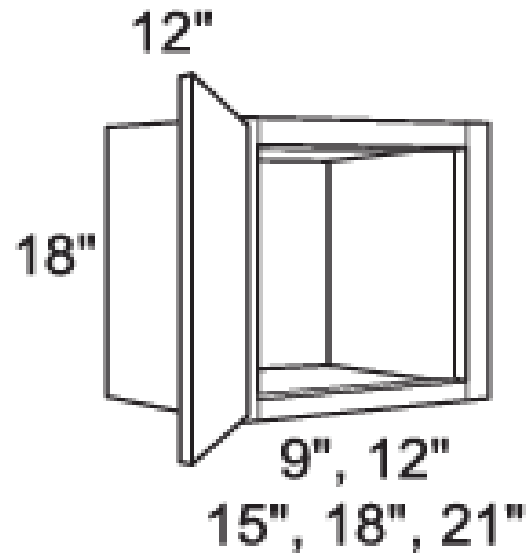
Notes:

MODIFICATIONS

D&F	FE	RD	ID	RH	RW	MI1	MI2	MI3	RDTK	RCTK	PFG
X	X	X	X	X	X	X		X			X

WALL 18" HIGH SINGLE DOOR

DIMENSIONS



SKU	WIDTH	HEIGHT	DEPTH
W0918	9	18	12
W1218	12	18	12
W1518	15	18	12
W1818	18	18	12
W2118	21	18	12

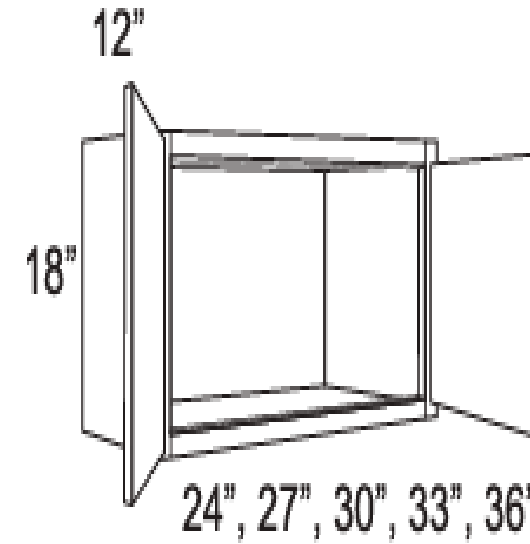
Notes:

MODIFICATIONS

D&F	FE	RD	ID	RH	RW	MI1	MI2	MI3	RDTK	RCTK	PFG
X	X	X	X	X	X	X	X				X

WALL 18" HIGH BUTT DOORS

DIMENSIONS



SKU	WIDTH	HEIGHT	DEPTH
W2418	24	18	12
W2718	27	18	12
W3018	30	18	12
W3318	33	18	12
W3618	36	18	12

Notes:

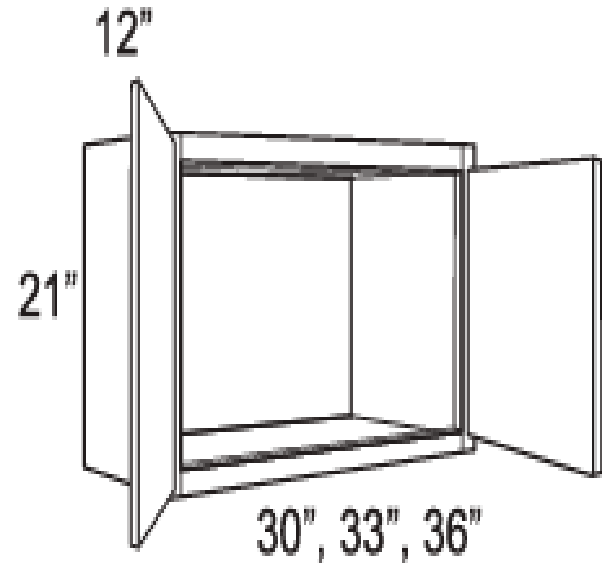
MODIFICATIONS

D&F	FE	RD	ID	RH	RW	MI1	MI2	MI3	RDTK	RCTK	PFG
X	X	X	X	X	X	X	X	X			X

WALL 21" HIGH BUTT DOORS

DIMENSIONS

SKU	WIDTH	HEIGHT	DEPTH
W3021	30	21	12
W3321	33	21	12
W3621	36	21	12



Notes:

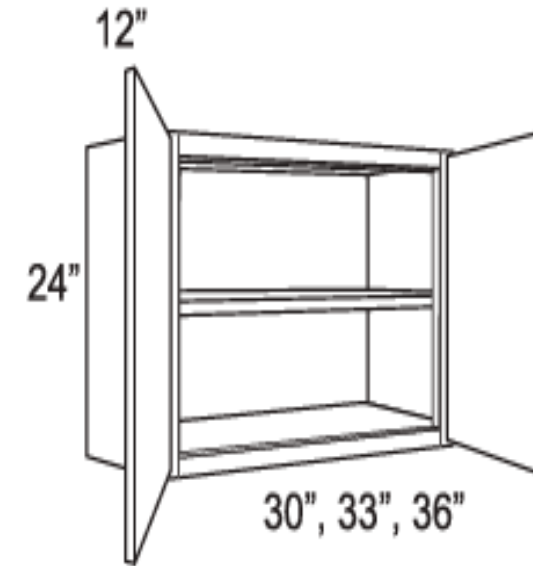
MODIFICATIONS

D&F	FE	RD	ID	RH	RW	MI1	MI2	MI3	RDTK	RCTK	PFG
X	X	X	X	X	X			X			X

WALL 24" HIGH BUTT DOORS

DIMENSIONS

SKU	WIDTH	HEIGHT	DEPTH
W3024	30	24	12
W3324	33	24	12
W3624	36	24	12



Notes:

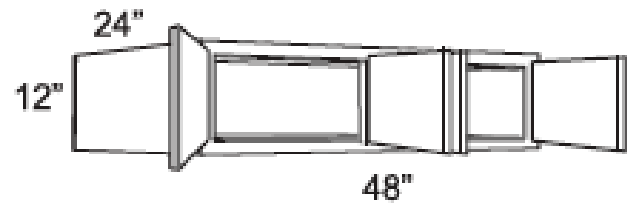
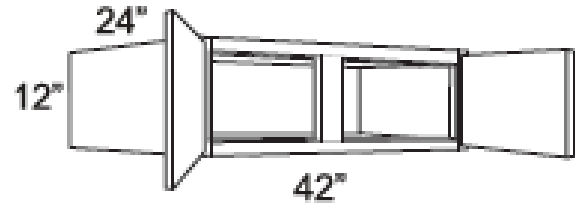
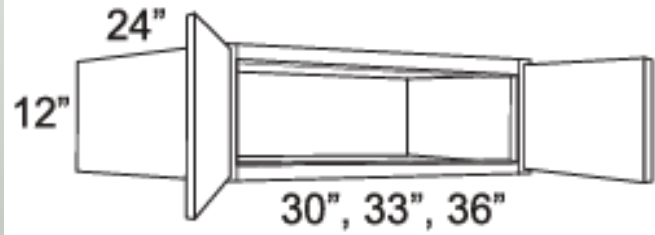
MODIFICATIONS

D&F	FE	RD	ID	RH	RW	MI1	MI2	MI3	RDTK	RCTK	PFG
X	X	X	X	X	X			X			X

WALL 12" HIGH 24" DEEP BUTT DOORS

DIMENSIONS

SKU	WIDTH	HEIGHT	DEPTH
W301224	30	12	24
W331224	33	12	24
W361224	36	12	24
W421224	42	12	24
W481224	48	12	24



Notes:

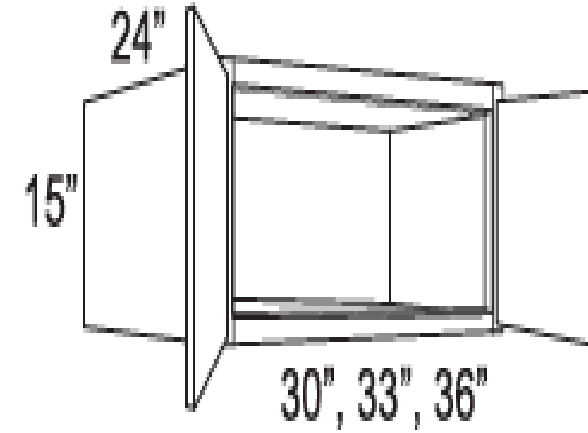
MODIFICATIONS

D&F	FE	RD	ID	RH	RW	MI1	MI2	MI3	RDTK	RCTK	PFG
X	X	X	X	X	X			X			X

WALL 15" HIGH 24" DEEP BUTT DOORS

DIMENSIONS

SKU	WIDTH	HEIGHT	DEPTH
W301524	30	15	24
W331524	33	15	24
W361524	36	15	24



Notes:

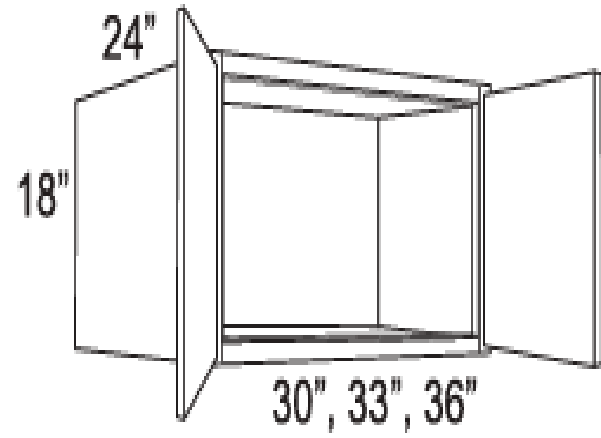
MODIFICATIONS

D&F	FE	RD	ID	RH	RW	MI1	MI2	MI3	RDTK	RCTK	PFG
X	X	X	X	X	X			X			X

WALL 18" HIGH 24" DEEP BUTT DOORS

DIMENSIONS

SKU	WIDTH	HEIGHT	DEPTH
W301824	30	18	24
W331824	33	18	24
W361824	36	18	24



Notes:

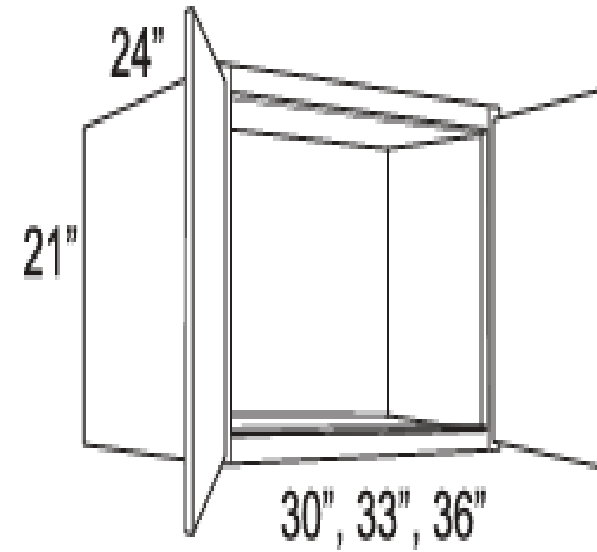
MODIFICATIONS

D&F	FE	RD	ID	RH	RW	MI1	MI2	MI3	RDTK	RCTK	PFG
X	X	X	X	X	X			X			X

WALL 21" HIGH 24" DEEP BUTT DOORS

DIMENSIONS

SKU	WIDTH	HEIGHT	DEPTH
W302124	30	21	24
W332124	33	21	24
W362124	36	21	24



Notes:

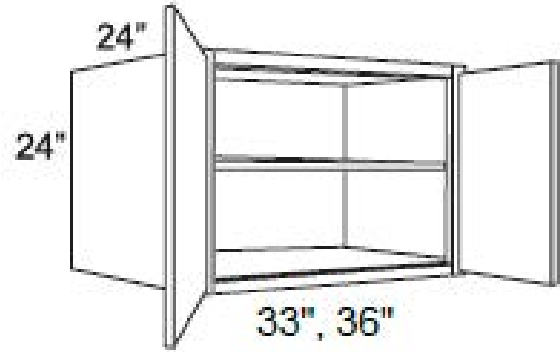
MODIFICATIONS

D&F	FE	RD	ID	RH	RW	MI1	MI2	MI3	RDTK	RCTK	PFG
X	X	X	X	X	X			X			X

WALL 24" HIGH 24" DEEP BUTT DOORS

DIMENSIONS

SKU	WIDTH	HEIGHT	DEPTH
W332424	33	24	24
W362424	36	24	24



Notes:

MODIFICATIONS

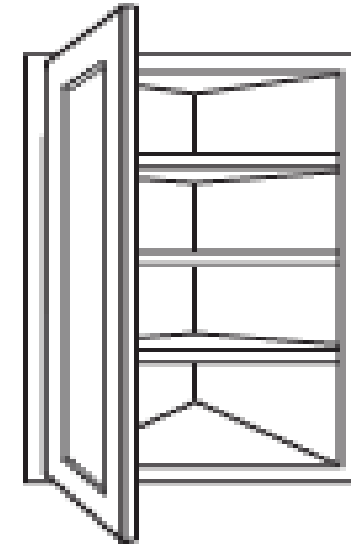
D&F	FE	RD	ID	RH	RW	MI1	MI2	MI3	RDTK	RCTK	PFG
X	X	X	X	X	X			X			X

WALL ANGLE END

DIMENSIONS

SKU	WIDTH	HEIGHT	DEPTH
WAE1230	12	30	12
WAE1236	12	36	12
WAE1239	12	39	12
WAE1242	12	42	12

30"
36"
39"
42"

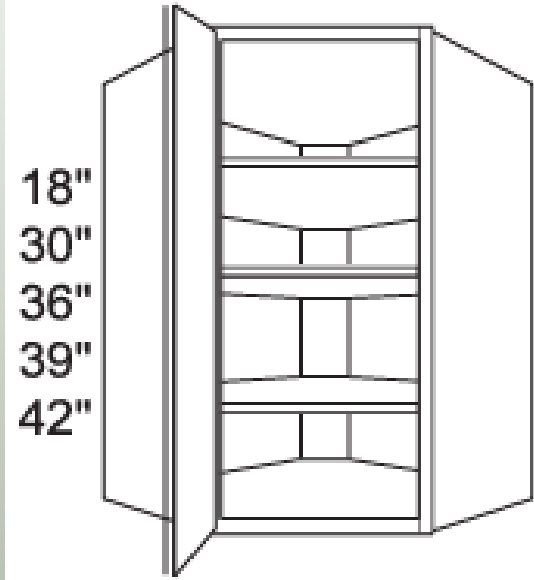


Notes:

MODIFICATIONS

D&F	FE	RD	ID	RH	RW	MI1	MI2	MI3	RDTK	RCTK	PFG
X	X							X			X

WALL ANGLE CORNER



DIMENSIONS

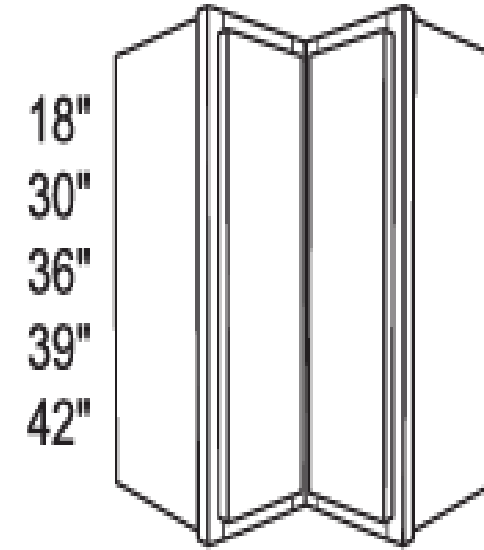
SKU	WIDTH	HEIGHT	DEPTH
WAC2418	24	18	12
WAC2430	24	30	12
WAC2436	24	36	12
WAC2439	24	39	12
WAC2442	24	42	12
WAC2718	27	18	15
WAC2730	27	30	15
WAC2736	27	36	15
WAC2742	27	42	15

Notes:

MODIFICATIONS

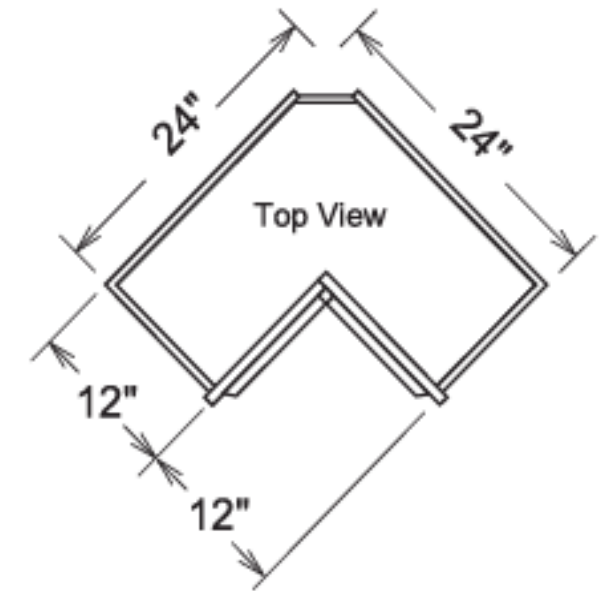
D&F	FE	RD	ID	RH	RW	MI1	MI2	MI3	RDTK	RCTK	PFG
X	X							X			X

WALL CORNER - EASY REACH



DIMENSIONS

SKU	WIDTH	HEIGHT	DEPTH
WER2418	24	18	12
WER2430	24	30	12
WER2436	24	36	12
WER2439	24	39	12
WER2442	24	42	12

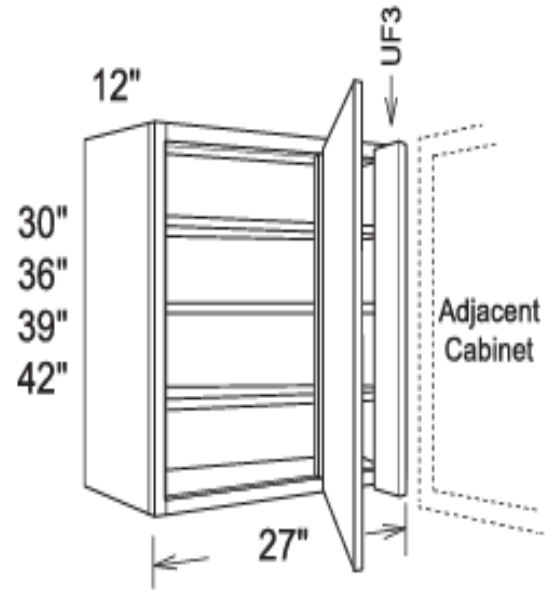


Notes:

MODIFICATIONS

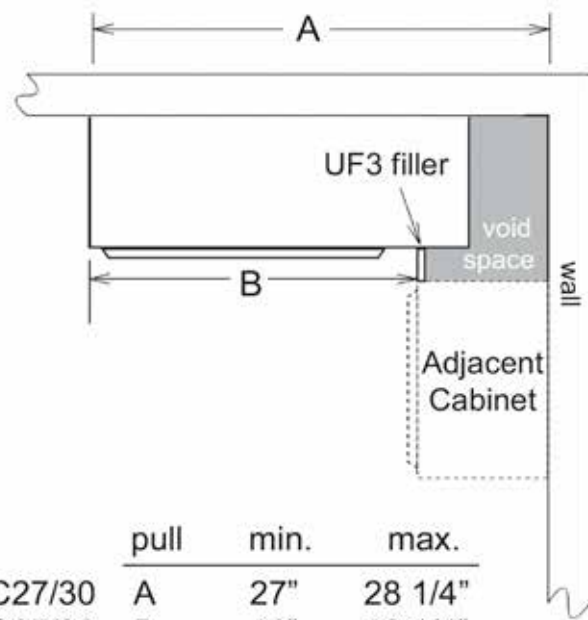
D&F	FE	RD	ID	RH	RW	MI1	MI2	MI3	RDTK	RCTK	PFG
X	X							X			X

**WALL CORNER - BLIND CORNER
ONE DOOR**



DIMENSIONS

SKU	WIDTH	HEIGHT	DEPTH
WBC2730	27	30	12
WBC2736	27	36	12
WBC2739	27	39	12
WBC2742	27	42	12



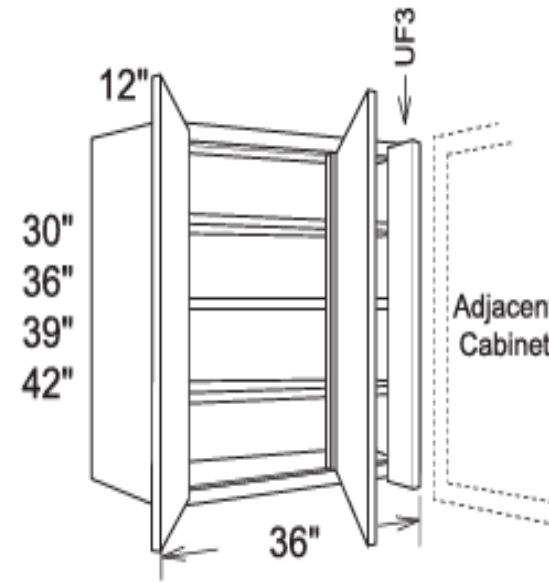
	pull	min.	max.
WBC27/30	A	27"	28 1/4"
WBC27/30	B	13"	16 1/4"
WBC36/39	A	37"	40 1/4"
WBC36/39	B	25"	28 1/4"

Notes:

MODIFICATIONS

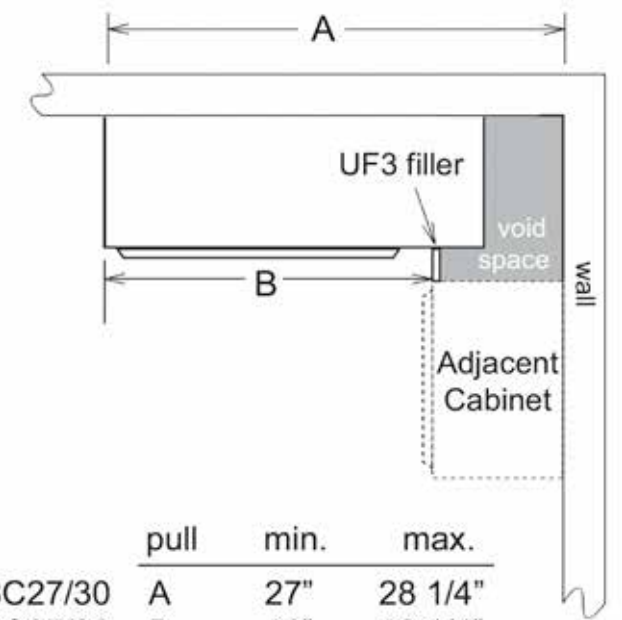
D&F	FE	RD	ID	RH	RW	MI1	MI2	MI3	RDTK	RCTK	PFG
X	X	X	X					X			X

**WALL CORNER - BLIND CORNER
2 DOORS**



DIMENSIONS

SKU	WIDTH	HEIGHT	DEPTH
WBC3630	36	30	12
WBC3636	36	36	12
WBC3639	36	39	12
WBC3642	36	42	12



	pull	min.	max.
WBC27/30	A	27"	28 1/4"
WBC27/30	B	13"	16 1/4"
WBC36/39	A	37"	40 1/4"
WBC36/39	B	25"	28 1/4"

Notes:

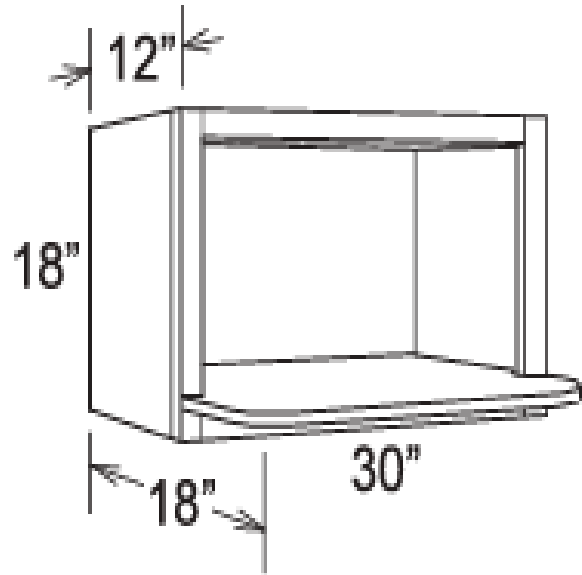
MODIFICATIONS

D&F	FE	RD	ID	RH	RW	MI1	MI2	MI3	RDTK	RCTK	PFG
X	X	X	X					X			X

WALL MICROWAVE SHELF CABINET

DIMENSIONS

SKU	WIDTH	HEIGHT	DEPTH
WMSC3018	30	18	12



Notes:

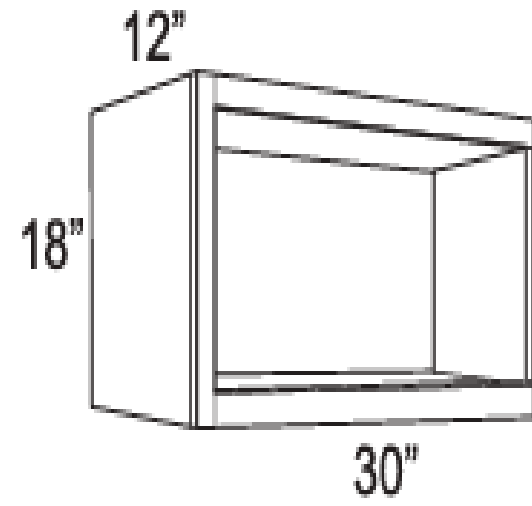
MODIFICATIONS

D&F	FE	RD	ID	RH	RW	MI1	MI2	MI3	RDTK	RCTK	PFG
	X	X	X			X					

WALL OPEN CABINET

DIMENSIONS

SKU	WIDTH	HEIGHT	DEPTH
WOC3018	30	18	12

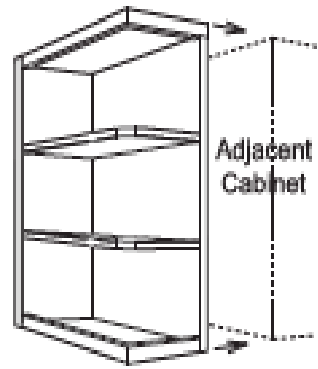


Notes:

MODIFICATIONS

D&F	FE	RD	ID	RH	RW	MI1	MI2	MI3	RDTK	RCTK	PFG
	X	X	X			X					

WALL OPEN END SHELF



top and bottom 90°
corners, shelves
are clipped at 45°



DIMENSIONS

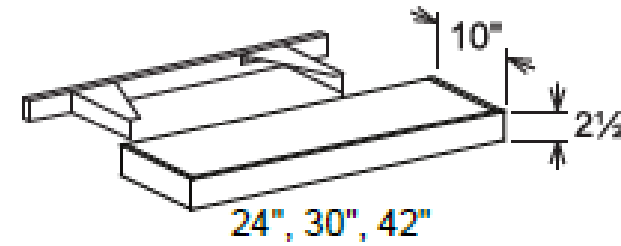
SKU	WIDTH	HEIGHT	DEPTH
WOES0630	6	30	12
WOES0636	6	36	12
WOES0639	6	39	12
WOES0642	6	42	12

Notes:

MODIFICATIONS

D&F	FE	RD	ID	RH	RW	MI1	MI2	MI3	RDTK	RCTK	PCG

FLOATING SHELF



DIMENSIONS

SKU	WIDTH	HEIGHT	DEPTH
FLS24	24	2.5	10
FLS30	30	2.5	10
FLS42	42	2.5	10

Notes:

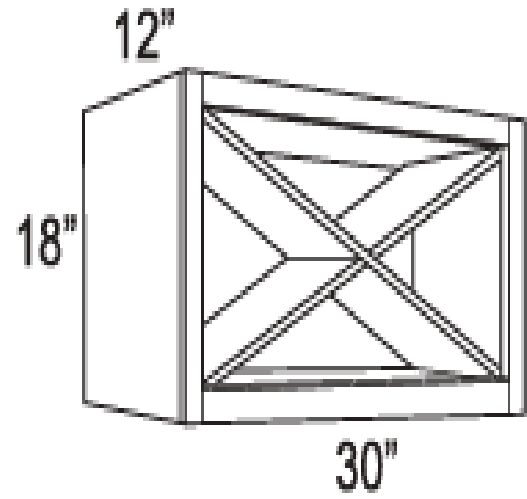
MODIFICATIONS

D&F	FE	RD	ID	RH	RW	MI1	MI2	MI3	RDTK	RCTK	PCG

WINE RACK X STYLE

DIMENSIONS

SKU	WIDTH	HEIGHT	DEPTH
WSC3018	30	18	12



Notes:

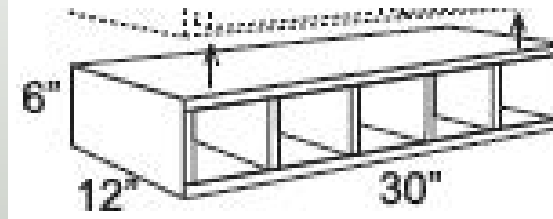
MODIFICATIONS

D&F	FE	RD	ID	RH	RW	MI1	MI2	MI3	RDTK	RCTK	PFG
	X					X					

WALL SLOTTED CUBBY

DIMENSIONS

SKU	WIDTH	HEIGHT	DEPTH
WCW630	30	6	12



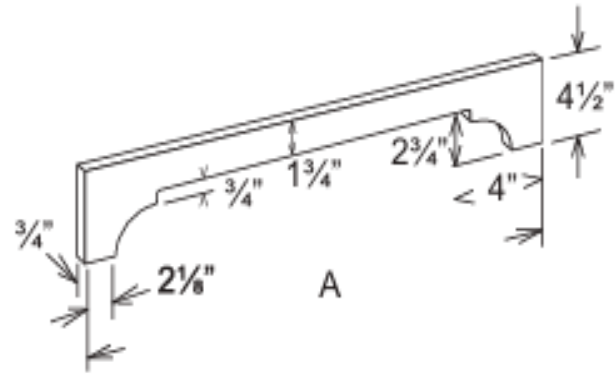
Notes:

MODIFICATIONS

D&F	FE	RD	ID	RH	RW	MI1	MI2	MI3	RDTK	RCTK	PFG
			X								

DIMENSIONS

SKU	WIDTH	HEIGHT	DEPTH
VC30	30	4.5	0.75
VC36	36	4.5	0.75
VC42	42	4.5	0.75
VC48	48	4.5	0.75
VC60	60	4.5	0.75



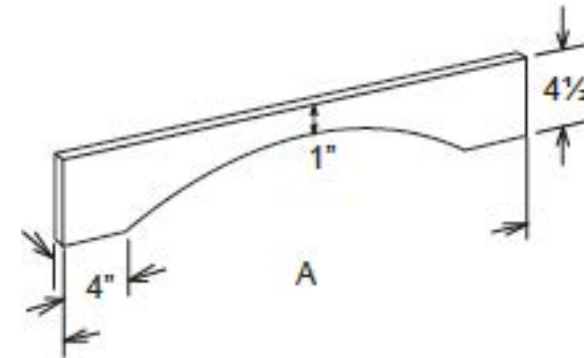
Notes:

MODIFICATIONS

D&F	FE	RD	ID	RH	RW	MI1	MI2	MI3	RDTK	RCTK	PFG

DIMENSIONS

SKU	WIDTH	HEIGHT	DEPTH
GAVAL30	30	4.5	0.75
GAVAL36	36	4.5	0.75
GAVAL42	42	4.5	0.75
GAVAL48	48	4.5	0.75
GAVAL60	60	4.5	0.75



Notes:

MODIFICATIONS

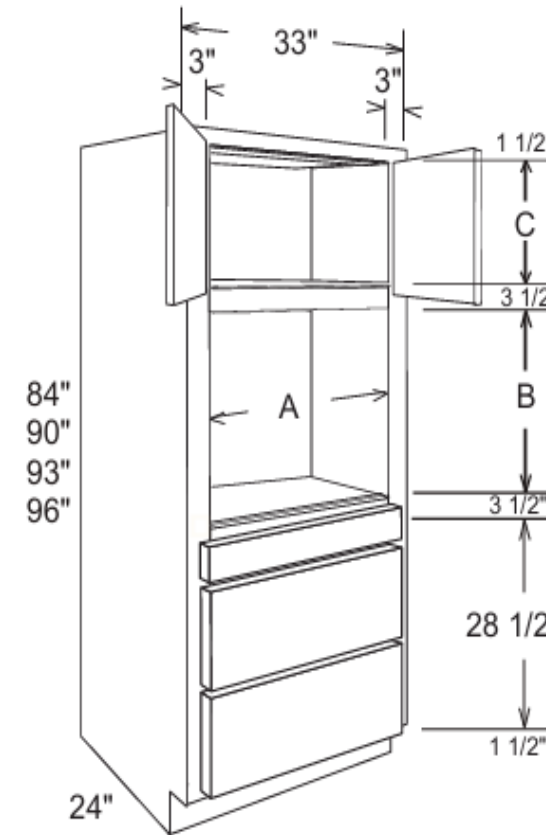
D&F	FE	RD	ID	RH	RW	MI1	MI2	MI3	RDTK	RCTK	PFG

TALL CABINETS

TALL OVEN CABINET

DIMENSIONS

SKU	WIDTH	HEIGHT	DEPTH
OCS3384	33	84	24
OCS3390	33	90	24
OCS3393	33	93	24
OCS3396	33	96	24



Door and Top Opening Dimensions

	Cabinet Height	Opening Height - C	Upper Door Height
FOL & Inset	84"	18 1/2"	20"
	90"	24 1/2"	26"
	93"	27 1/2"	29"
	96"	30 1/2"	32"

Cut Out Dimensions

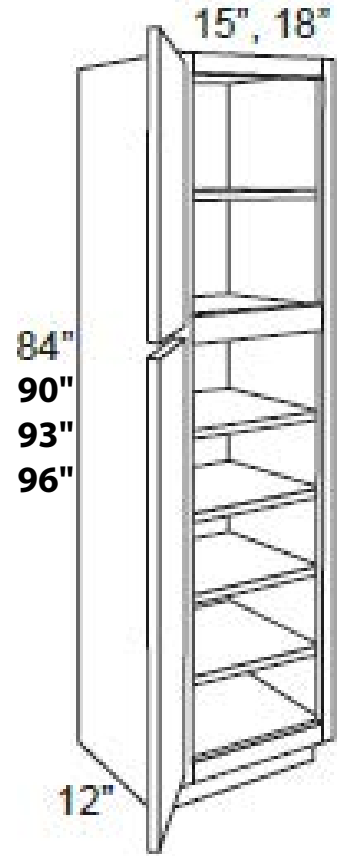
	A Actual	A Max	B Actual	B Max*
FOL & Inset	27"	31"	24"	26 1/2"

Notes:

MODIFICATIONS

D&F	FE	RD	ID	RH	RW	MI1	MI2	MI3	RDTK	RCTK	PFG
X	X	X	X	X	X			X	X	X	X

TALL UTILITY SINGLE DOOR



DIMENSIONS

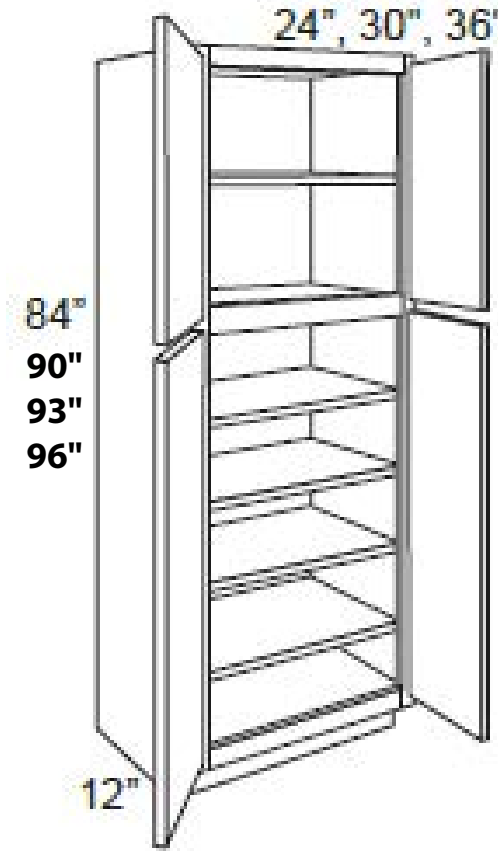
SKU	WIDTH	HEIGHT	DEPTH
U158424	15	84	12
U159024	15	90	12
U159324	15	93	12
U159624	15	96	12
U188424	18	84	12
U189024	18	90	12
U189324	18	93	12
U189624	18	96	12

Notes:

MODIFICATIONS

D&F	FE	RD	ID	RH	RW	MI1	MI2	MI3	RDTK	RCTK	PFG
X	X	X	X	X	X			X	X	X	X

TALL UTILITY BUTT DOORS



DIMENSIONS

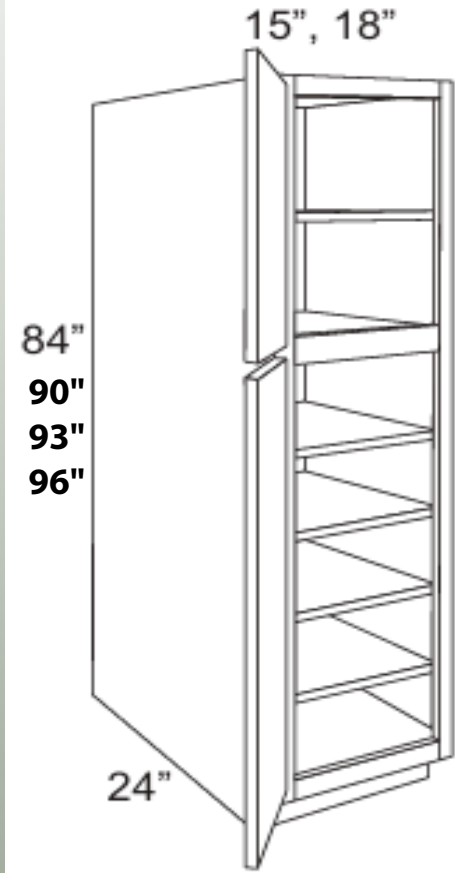
SKU	WIDTH	HEIGHT	DEPTH
U248424	24	84	12
U249024	24	90	12
U249324	24	93	12
U249624	24	96	12
U308424	30	84	12
U309024	30	90	12
U309324	30	93	12
U309624	30	96	12
U368424	36	84	12
U369024	36	90	12
U369324	36	93	12
U369624	36	96	12

Notes:

MODIFICATIONS

D&F	FE	RD	ID	RH	RW	MI1	MI2	MI3	RDTK	RCTK	PFG
X	X	X	X	X	X			X	X	X	X

TALL UTILITY SINGLE DOOR



DIMENSIONS

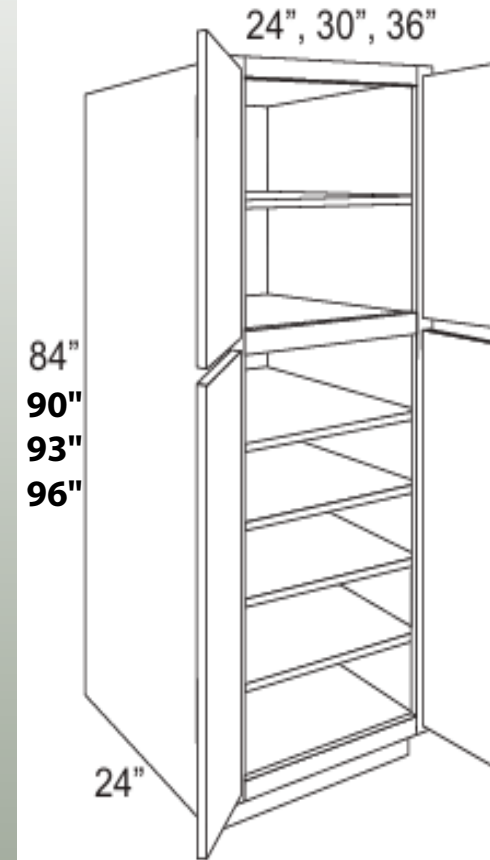
SKU	WIDTH	HEIGHT	DEPTH
U158424	15	84	24
U159024	15	90	24
U159324	15	93	24
U159624	15	96	24
U188424	18	84	24
U189024	18	90	24
U189324	18	93	24
U189624	18	96	24

Notes:

MODIFICATIONS

D&F	FE	RD	ID	RH	RW	MI1	MI2	MI3	RDTK	RCTK	PFG
X	X	X	X	X	X			X	X	X	X

TALL UTILITY BUTT DOORS



DIMENSIONS

SKU	WIDTH	HEIGHT	DEPTH
U248424	24	84	2&
U249024	24	90	2&
U249324	24	93	2&
U249624	24	96	2&
U308424	30	84	24
U309024	30	90	24
U309324	30	93	24
U309624	30	96	24
U368424	36	84	24
U369024	36	90	2&
U369324	36	93	2&
U369624	36	96	2&

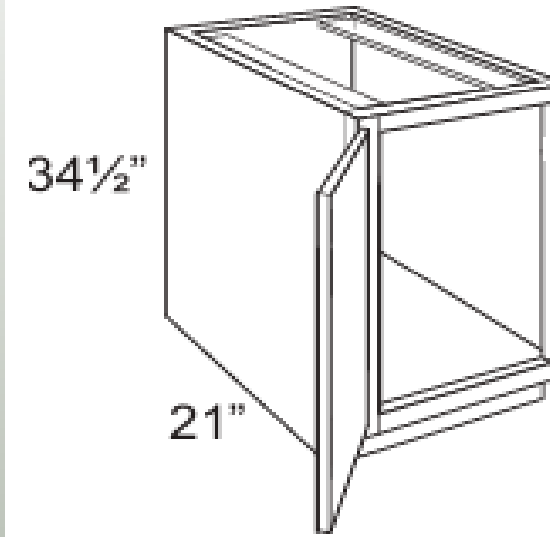
Notes:

MODIFICATIONS

D&F	FE	RD	ID	RH	RW	MI1	MI2	MI3	RDTK	RCTK	PFG
X	X	X	X	X	X			X	X	X	X

VANITY CABINETS

VANITY BASE FULL HEIGHT SINGLE DOOR



DIMENSIONS

SKU	WIDTH	HEIGHT	DEPTH
VB12FH	12	34.5	21
VB15FH	15	34.5	21
VB18FH	18	34.5	21
VB21FH	21	34.5	21

Notes:

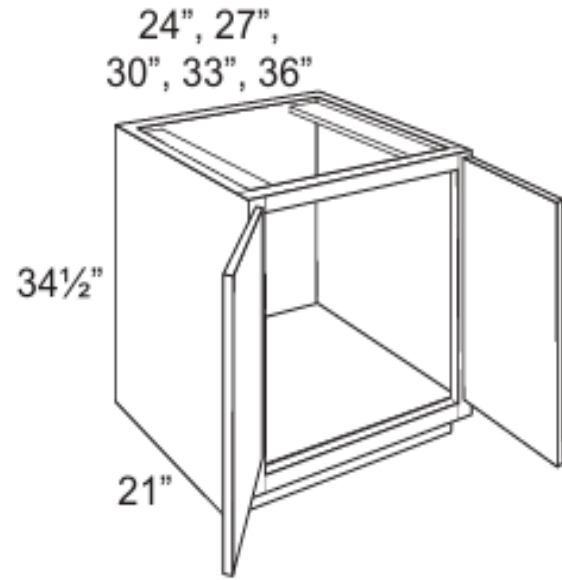
MODIFICATIONS

D&F	FE	RD	ID	RH	RW	MI1	MI2	MI3	RDTK	RCTK	PFG
X	X	X	X	X	X				X	X	X

**VABITY BASE FULL HEIGHT BUTT
DOORS**

DIMENSIONS

SKU	WIDTH	HEIGHT	DEPTH
VB24FH	24	34.5	21
VB27FH	27	34.5	21
VB30FH	30	34.5	21
VB33FH	33	34.5	21
VB36FH	36	34.5	21



Notes:

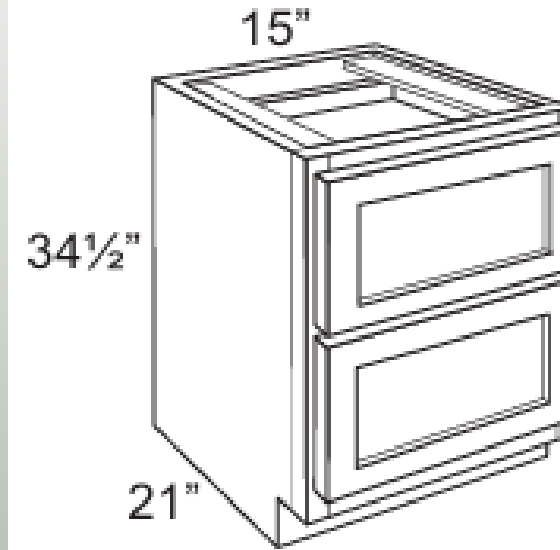
MODIFICATIONS

D&F	FE	RD	ID	RH	RW	MI1	MI2	MI3	RDTK	RCTK	PFG
X	X	X	X	X	X				X	X	X

VANITY 2 DRAWER

DIMENSIONS

SKU	WIDTH	HEIGHT	DEPTH
V2DB15	15	34.5	21

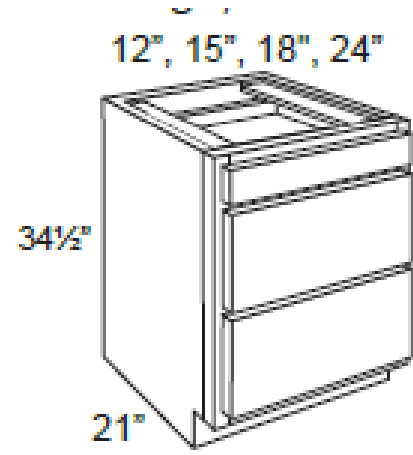


Notes:

MODIFICATIONS

D&F	FE	RD	ID	RH	RW	MI1	MI2	MI3	RDTK	RCTK	PFG
X	X	X	X	X	X				X	X	X

VANITY 3 DRAWER



DIMENSIONS

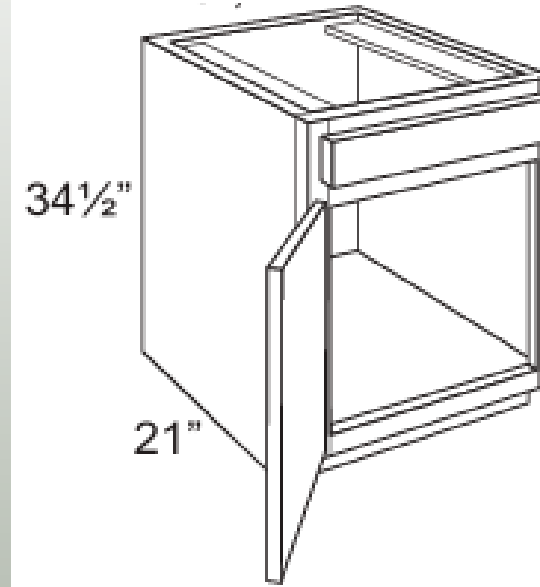
SKU	WIDTH	HEIGHT	DEPTH
V3DB12	12	34.5	21
V3DB15	15	34.5	21
V3DB18	18	34.5	21
V3DB24	24	34.5	21

Notes:

MODIFICATIONS

D&F	FE	RD	ID	RH	RW	MI1	MI2	MI3	RDTK	RCTK	PFG
X	X	X	X	X	X				X	X	X

VANITY SINK BASE SINGLE DOOR



DIMENSIONS

SKU	WIDTH	HEIGHT	DEPTH
VSDB12	12	34.5	21
VSDB15	15	34.5	21
VSDB18	18	34.5	21
VSDB21	21	34.5	21

Notes:

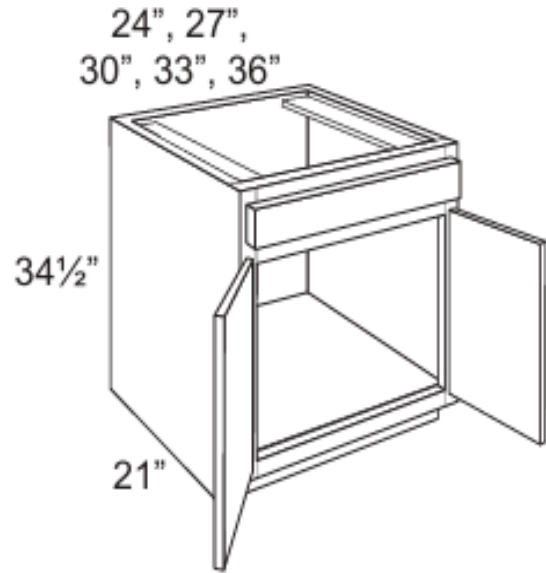
MODIFICATIONS

D&F	FE	RD	ID	RH	RW	MI1	MI2	MI3	RDTK	RCTK	PFG
X	X	X	X	X	X				X	X	X

VANITY SINK BASE BUTT DOORS

DIMENSIONS

SKU	WIDTH	HEIGHT	DEPTH
VSB24	24	34.5	21
VSB27	27	34.5	21
VSB30	30	34.5	21
VSB33	33	34.5	21
VSB36	36	34.5	21



Notes:

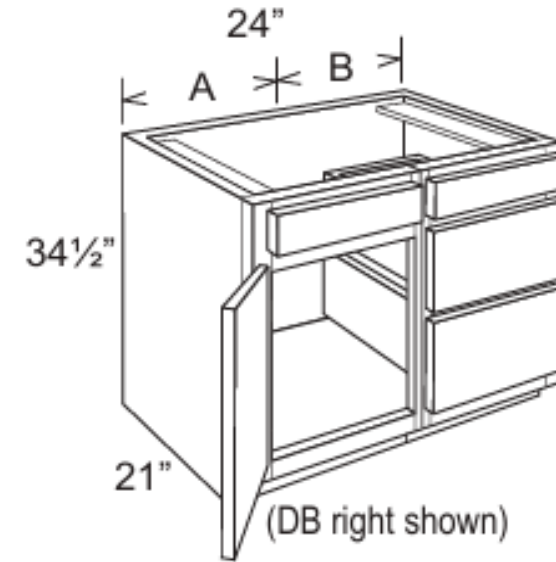
MODIFICATIONS

D&F	FE	RD	ID	RH	RW	MI1	MI2	MI3	RDTK	RCTK	PFG
X	X	X	X	X	X				X	X	X

VANITY SINK DRAWER COMBO 24

DIMENSIONS

SKU	WIDTH	HEIGHT	DEPTH
VCD24	24	34.5	21



	A	B
VCD24-L (1 door)	12"	12"
VCD24-R (1 door)	12"	12"

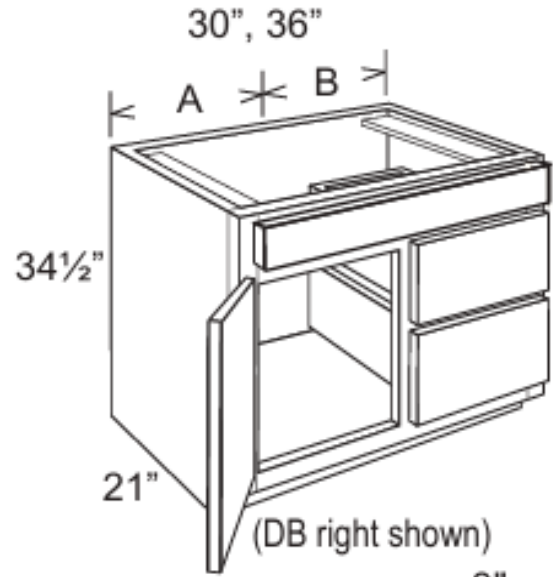
Notes:

MODIFICATIONS

D&F	FE	RD	ID	RH	RW	MI1	MI2	MI3	RDTK	RCTK	PFG
X	X	X	X	X	X				X	X	X

VANITY SINK DRAWER COMBO 30

DIMENSIONS



SKU	WIDTH	HEIGHT	DEPTH
VSDC30	30	34.5	21

	A	B
VSDC30-L (1 door)	12"	18"
VSDC30-R (1 door)	18"	12"
VSDC36-L (2 doors)	12"	24"
VSDD36-R (2 doors)	24"	12"

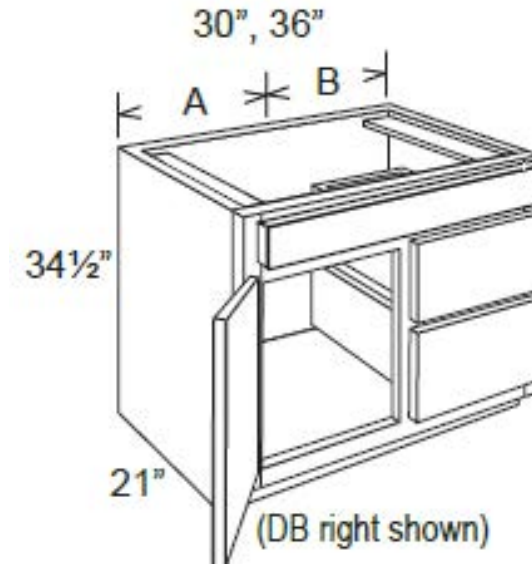
Notes:

MODIFICATIONS

D&F	FE	RD	ID	RH	RW	MI1	MI2	MI3	RDTK	RCTK	PFG
X	X	X	X	X	X				X	X	X

VANITY SINK DRAWER COMBO 36

DIMENSIONS



SKU	WIDTH	HEIGHT	DEPTH
VSDC36	36	34.5	21

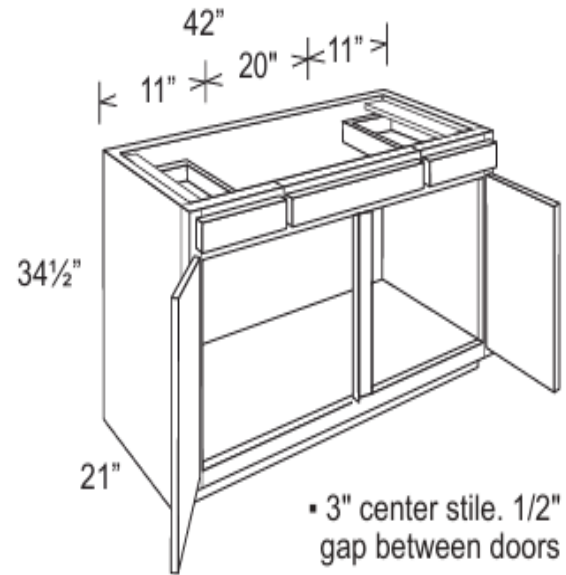
	A	B
VSDC30-L (1 door)	12"	18"
VSDC30-R (1 door)	18"	12"
VSDC36-L (2 doors)	12"	24"
VSDD36-R (2 doors)	24"	12"

Notes:

MODIFICATIONS

D&F	FE	RD	ID	RH	RW	MI1	MI2	MI3	RDTK	RCTK	PFG
X	X	X	X	X	X				X	X	X

VANITY SINK DRAWER COMBO 42



DIMENSIONS

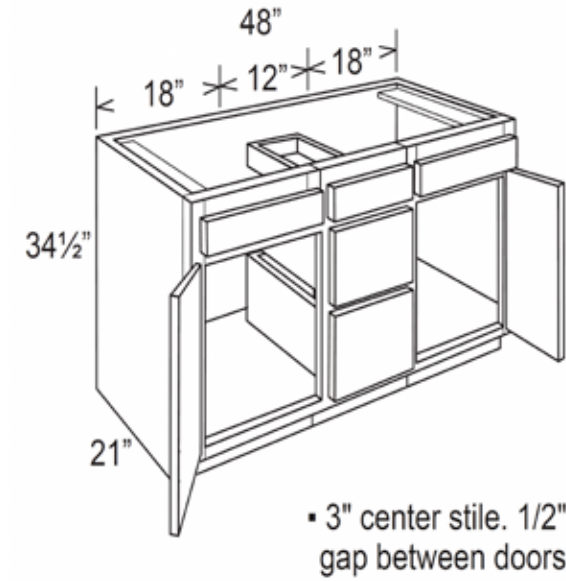
SKU	WIDTH	HEIGHT	DEPTH
VSD42	42	34.5	21

Notes:

MODIFICATIONS

D&F	FE	RD	ID	RH	RW	MI1	MI2	MI3	RDTK	RCTK	PFG
X	X	X	X	X	X				X	X	X

VANITY SINK DRAWER COMBO 48



DIMENSIONS

SKU	WIDTH	HEIGHT	DEPTH
VSD48	48	34.5	21

Notes:

MODIFICATIONS

D&F	FE	RD	ID	RH	RW	MI1	MI2	MI3	RDTK	RCTK	PFG
X	X	X	X	X	X				X	X	X

HOODS

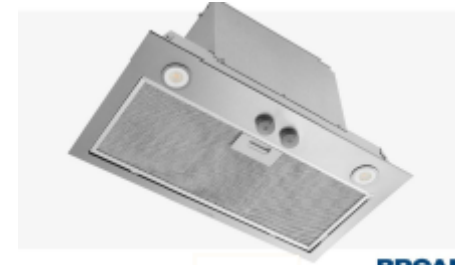
BROAN HOOD VENTILATOR

DIMENSIONS

SKU	WIDTH	HEIGHT	DEPTH
BR260	21.375	2.19	11.44
BR400	21.375	10.56	11.44
BR600	21.375	10.56	11.44



BROAN BR260



BROAN BR400



BROAN BR600

Notes:

MODIFICATIONS

D&F	FE	RD	ID	RH	RW	MI1	MI2	MI3	RDTK	RCTK	PGF

OVEN RANGE VENTILATOR LINER

DIMENSIONS

SKU	WIDTH	HEIGHT	DEPTH
SV36L			
SV42L			
SV48L			
SV960			



Notes:

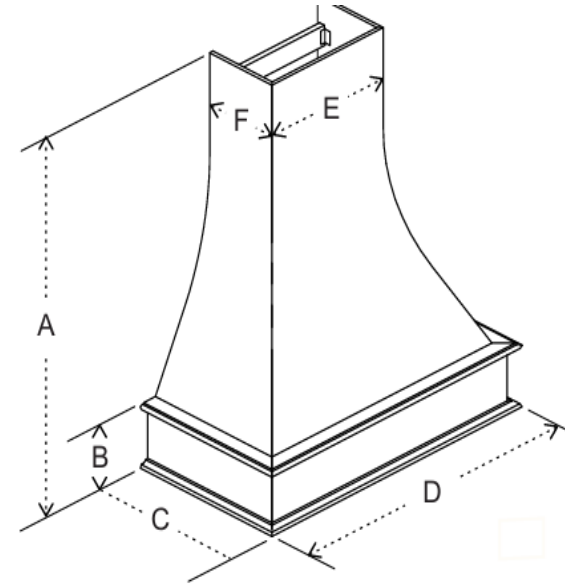
MODIFICATIONS

D&F	FE	RD	ID	RH	RW	MI1	MI2	MI3	RDTK	RCTK	PFG

RANGE HOOD - ARTISIAN

DIMENSIONS

SKU	WIDTH	HEIGHT	DEPTH
WRH3046-A	31.75	46	20.08
WRH3646-A	37.75	46	20.08
WRH4246-A	43.75	46	20.08
WRH4846-A	49.75	46	20.08



- A = Max. Height 46"
- A = Min. Height 34"
- B = Hood Height 7-1/2"
- C = Depth 20-5/64"
- D = Width 37-3/4", 43-3/4", 49-3/4", 49-3/4"
- E = Chimney Width 17", 23", 29" (at max trim to top)
- F = Chimney Depth 9-1/2" (at max trim to top)

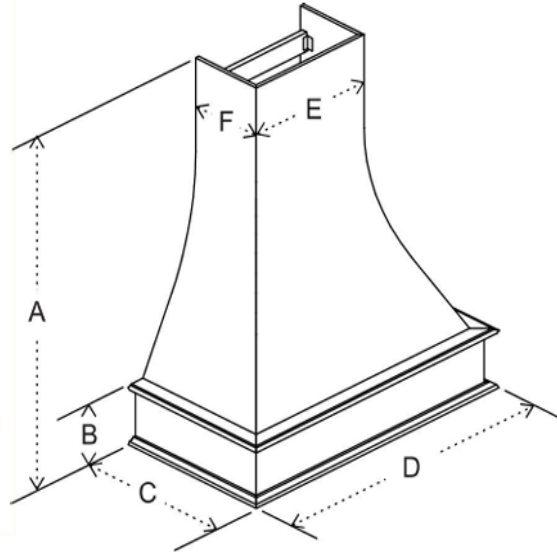
Notes:

MODIFICATIONS

D&F	FE	RD	ID	RH	RW	MI1	MI2	MI3	RDTK	RCTK	PFG

RANGE HOOD - ARTISIAN

DIMENSIONS



SKU	WIDTH	HEIGHT	DEPTH
WRH3048-ART	30.25	47.48	19.76
WRH3648-ART	38.06	47.48	19.76
WRH4248-ART	44.06	47.48	19.76

	30 inch	36 inch	42 inch
A= Max. Height	47.48"	47.48"	47.48"
A= Min. Height	40.63"	40.63"	40.63"
B= Hood Height	8.268"	8.268"	8.268"
C= Depth	19.76"	19.76"	19.76"
D= Width	32.05"	38.03"	44.06"
E= Chimney Width	11.38"	17.36"	23.39"
F= Chimney Depth	9.449"	9.449"	9.449"

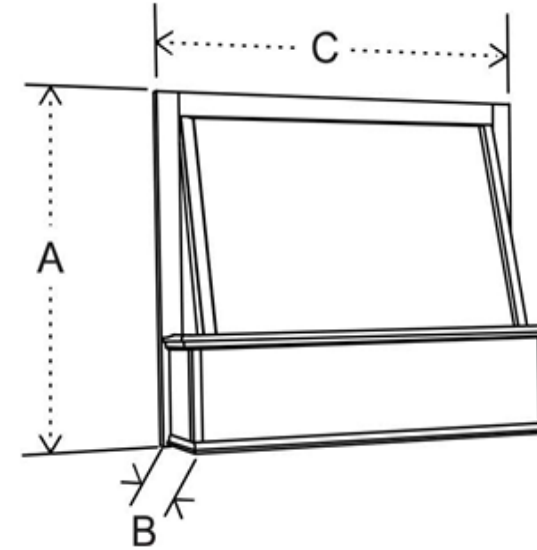
Notes:

MODIFICATIONS

D&F	FE	RD	ID	RH	RW	MI1	MI2	MI3	RDTK	RCTK	PFG

RANGE HOOD - FRONT

DIMENSIONS



SKU	WIDTH	HEIGHT	DEPTH
WRH3024-FNT	30	24	8.75
WRH3624-FNT	36	24	8.75

	30 inch	36 inch
A= Height	24"	24"
B= Depth	8.75"	8.75"
C= Width	30"	36"

Notes:

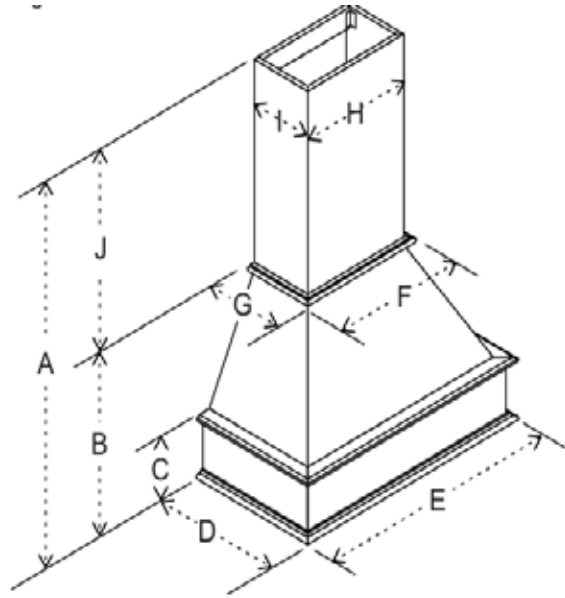
MODIFICATIONS

D&F	FE	RD	ID	RH	RW	MI1	MI2	MI3	RDTK	RCTK	PFG

RANGE HOOD - SIGNATURE

DIMENSIONS

SKU	WIDTH	HEIGHT	DEPTH
WRH3054-SS	31.75	54.38	20.09
WRH3654-SS	37.75	54.38	20.09
WRH4254-SS	43.75	54.38	20.09
WRH4854-SS	49.75	54.38	20.09



- A = Height 54-3/8"
- B = Hood Height 22-7/8"
- C = Hood Base Height 7-1/2"
- D = Hood Depth 20-3/32"
- E = Hood Width 31-3/4", 37-3/4", 43-3/4", 49-3/4"
- F = Hood Width at Top 12-1/2", 18-1/2", 24-1/2", 30-1/2"
- G = Hood Depth at Top 10-5/16"
- H = Chimney Width 11-3/8", 17-3/8", 23-3/8", 29-3/8"
- I = Chimney Depth 9-11/16"
- J = Chimney Height 31-1/2"

Notes:

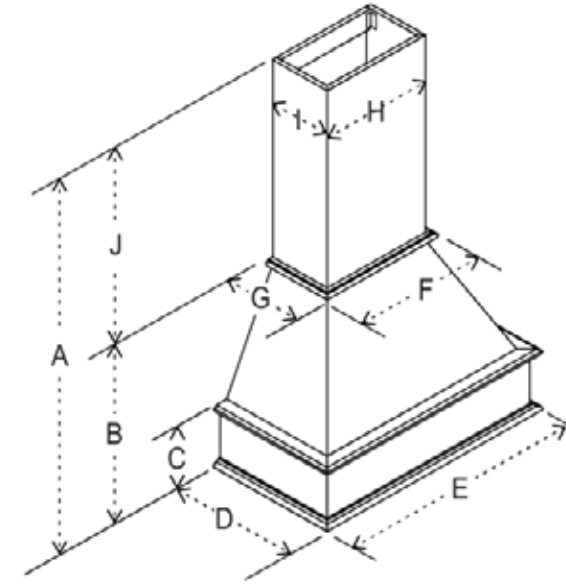
MODIFICATIONS

D&F	FE	RD	ID	RH	RW	MI1	MI2	MI3	RDTK	RCTK	PFG

RANGE HOOD - SIGNATURE

DIMENSIONS

SKU	WIDTH	HEIGHT	DEPTH
WRH3647-SIG	38.35	46.89	22.56
WRH4247-SIG	44.37	46.89	22.56



- | | 36
inch | 42
inch |
|------------------------------|--------------------|--------------------|
| A = Max. Height | 46.89" | 46.89" |
| A = Min. Height | 23.62" | 23.62" |
| B = Hood Height | 22.87" | 22.87" |
| C = Hood Base Height | 8.11" | 8.11" |
| D = Hood Depth | 22.56" | 22.56" |
| E = Hood Width | 38.35" | 44.37" |
| F = Hood Width at Top | 20.67" | 26.69" |
| G = Hood Depth at Top | 13.58" | 13.58" |
| H = Chimney Width | 17.36" | 23.39" |
| I = Chimney Depth | 11.93" | 11.93" |
| J = Chimney Height | 24.02" | 24.02" |

Notes:

MODIFICATIONS

D&F	FE	RD	ID	RH	RW	MI1	MI2	MI3	RDTK	RCTK	PFG

FILLERS



DIMENSIONS

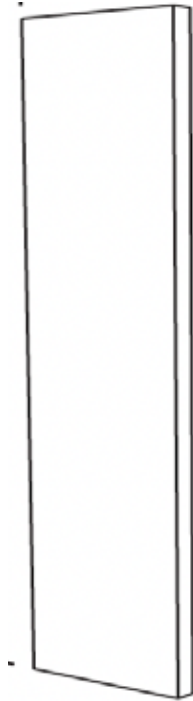
SKU	WIDTH	HEIGHT	DEPTH
F330	3	30	1.5
F336	3	36	1.5
F339	3	39	1.5
F342	3	42	1.5
F384	3	84	1.5
F390	3	90	1.5
F393	3	93	1.5
F396	3	96	1.5

Notes:

MODIFICATIONS

D&F	FE	RD	ID	RH	RW	MI1	MI2	MI3	RDTK	RCTK	PFG

FILLER - 6" WIDE



DIMENSIONS

SKU	WIDTH	HEIGHT	DEPTH
F639	6	39	1.5
F642	6	42	1.5
F684	6	84	1.5
F690	6	90	1.5
F693	6	93	1.5
F696	6	96	1.5

Notes:

MODIFICATIONS

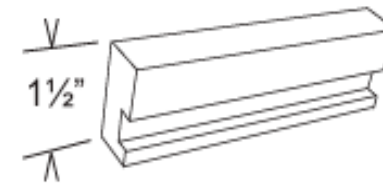
D&F	FE	RD	ID	RH	RW	MI1	MI2	MI3	RDTK	RCTK	PFG

FILLER - 1.5" WIDE



DIMENSIONS

SKU	WIDTH	HEIGHT	DEPTH
F1.542	1.5	42	1.5
F1.593	1.5	93	1.5
F1.596	1.5	96	1.5



Notes:

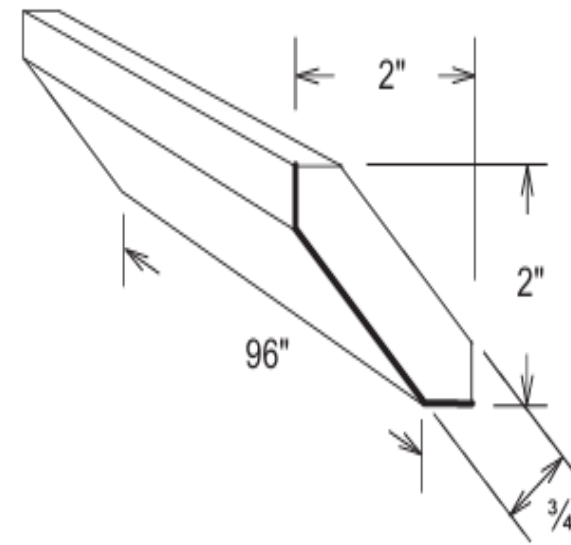
MODIFICATIONS

D&F	FE	RD	ID	RH	RW	MI1	MI2	MI3	RDTK	RCTK	PFG

MOLDINGS

DIMENSIONS

SKU	WIDTH	HEIGHT	DEPTH
CMA3	3	96	



Notes:

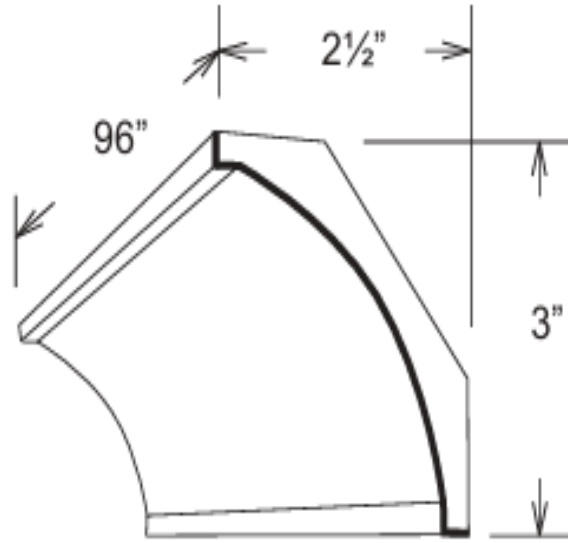
MODIFICATIONS

D&F	FE	RD	ID	RH	RW	MI1	MI2	MI3	RDTK	RCTK	PFG

COVE CROWN MOLDING

DIMENSIONS

SKU	WIDTH	HEIGHT	DEPTH
CMV4	4	96	



Notes:

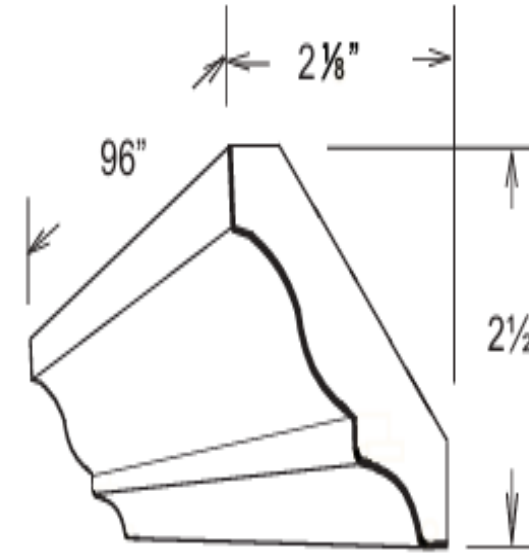
MODIFICATIONS

D&F	FE	RD	ID	RH	RW	MI1	MI2	MI3	RDTK	RCTK	PFG

CROWN MOLDING

DIMENSIONS

SKU	WIDTH	HEIGHT	DEPTH
CM4	4	96	



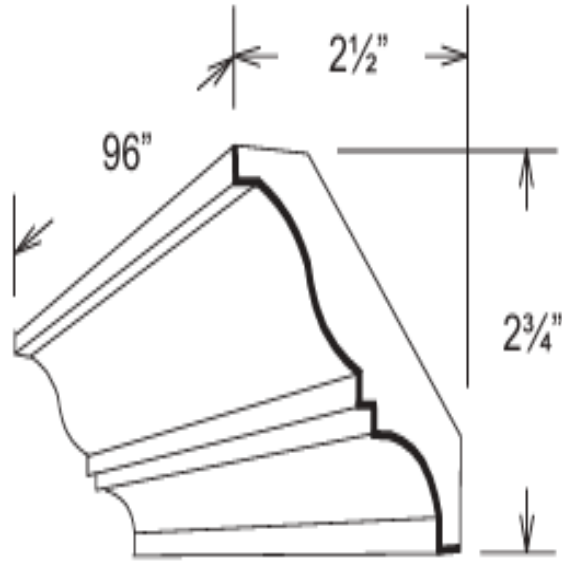
Notes:

MODIFICATIONS

D&F	FE	RD	ID	RH	RW	MI1	MI2	MI3	RDTK	RCTK	PFG

DECORATIVE MOLDING

DIMENSIONS



SKU	WIDTH	HEIGHT	DEPTH
CCM4	4	96	

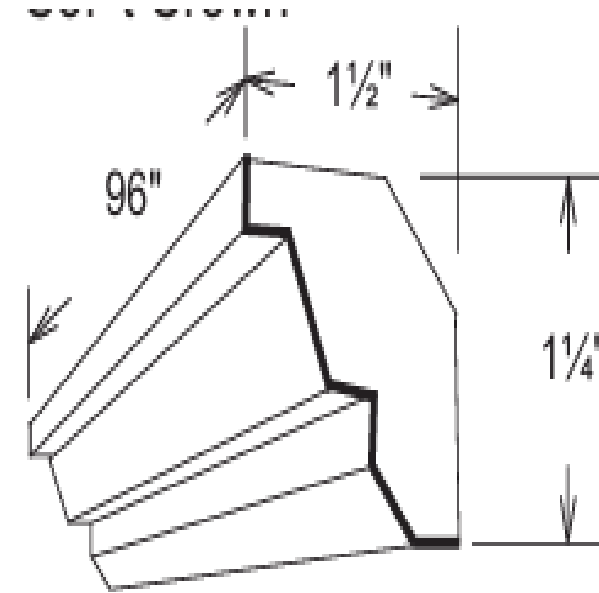
Notes:

MODIFICATIONS

D&F	FE	RD	ID	RH	RW	MI1	MI2	MI3	RDTK	RCTK	PFG

SOFFIT CROWN MOLDING

DIMENSIONS



SKU	WIDTH	HEIGHT	DEPTH
CMS2	2	96	

Notes:

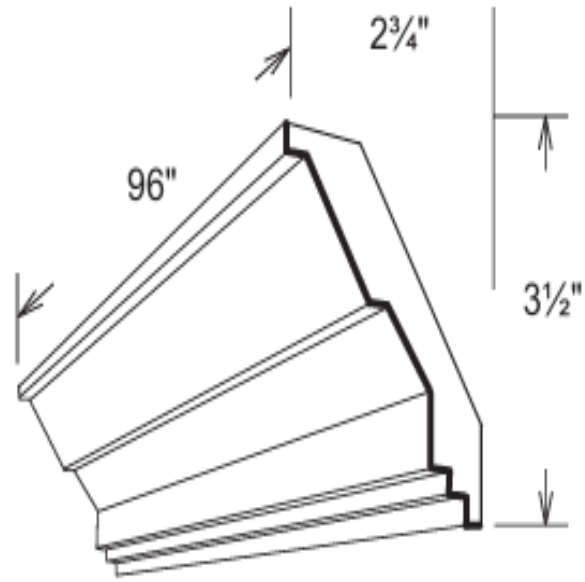
MODIFICATIONS

D&F	FE	RD	ID	RH	RW	MI1	MI2	MI3	RDTK	RCTK	PFG

TRADITIONAL CROWN MOLDING

DIMENSIONS

SKU	WIDTH	HEIGHT	DEPTH
CMT4.5	4.5	96	



Notes:

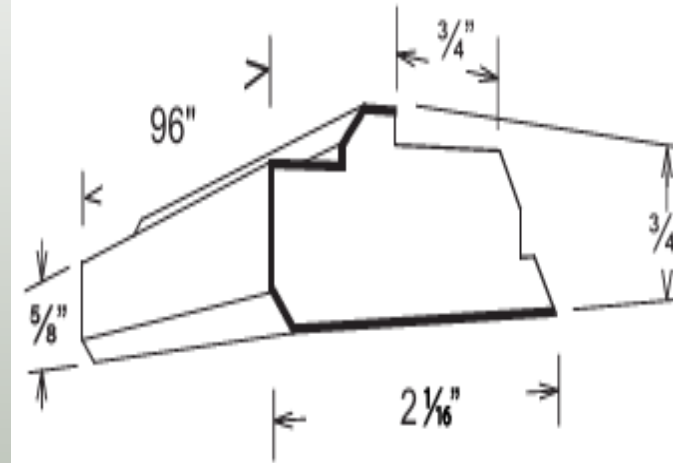
MODIFICATIONS

D&F	FE	RD	ID	RH	RW	MI1	MI2	MI3	RDTK	RCTK	PFG

LIGHT RAIL MOLDING

DIMENSIONS

SKU	WIDTH	HEIGHT	DEPTH
LVP	2.0625	96	



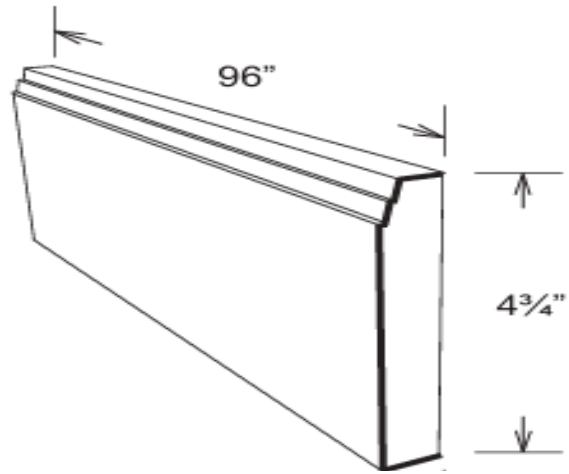
Notes:

MODIFICATIONS

D&F	FE	RD	ID	RH	RW	MI1	MI2	MI3	RDTK	RCTK	PFG

OGEE BASE MOLDING

DIMENSIONS



SKU	WIDTH	HEIGHT	DEPTH
OBM8	4.75	96	

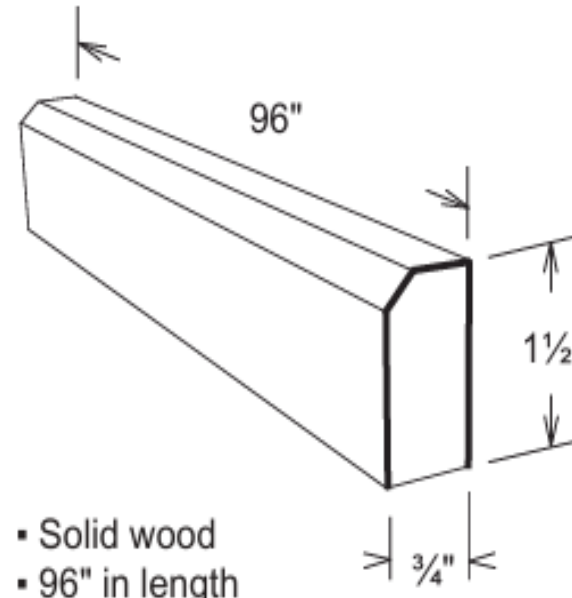
Notes:

MODIFICATIONS

D&F	FE	RD	ID	RH	RW	MI1	MI2	MI3	RDTK	RCTK	PFG

COUNTERTOP MOLDING

DIMENSIONS



- Solid wood
- 96" in length

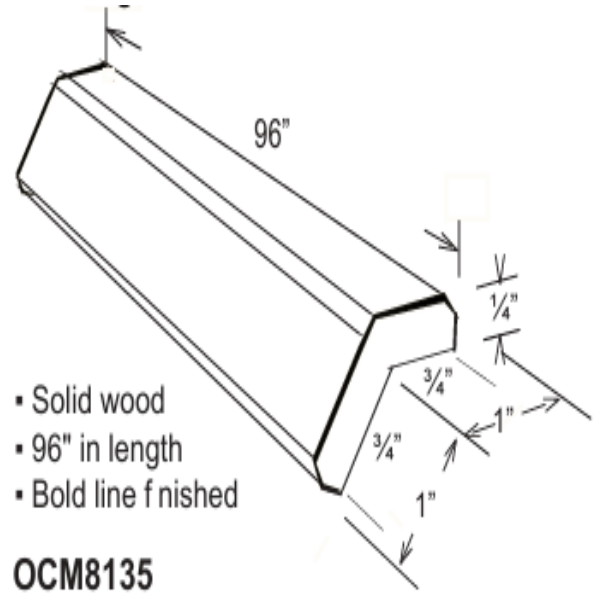
SKU	WIDTH	HEIGHT	DEPTH
CTM1.5	1.5	96	0.75

Notes:

MODIFICATIONS

D&F	FE	RD	ID	RH	RW	MI1	MI2	MI3	RDTK	RCTK	PFG

OUTSIDE CORNER MOLDING 135 DEGREE



- Solid wood
- 96" in length
- Bold line finished

OCM8135

DIMENSIONS

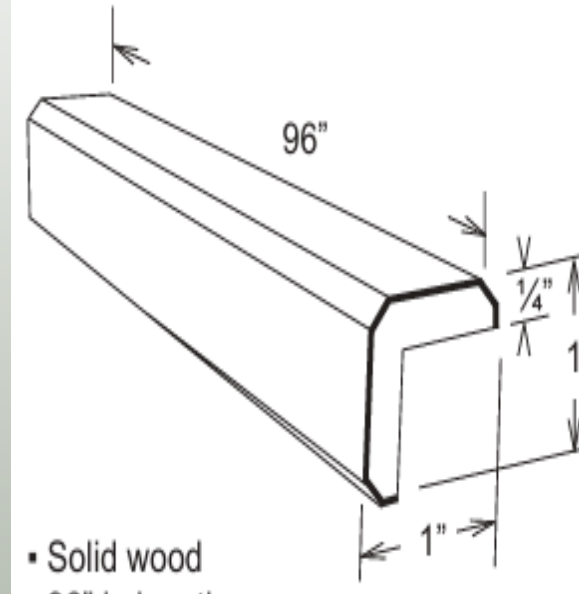
SKU	WIDTH	HEIGHT	DEPTH
OCM8135	1.5	96	0.25

Notes:

MODIFICATIONS

D&F	FE	RD	ID	RH	RW	MI1	MI2	MI3	RDTK	RCTK	PFG

OUTSIDE CORNER MOLDING 90 DEGREE



- Solid wood

DIMENSIONS

SKU	WIDTH	HEIGHT	DEPTH
OCM	1	96	0.25

Notes:

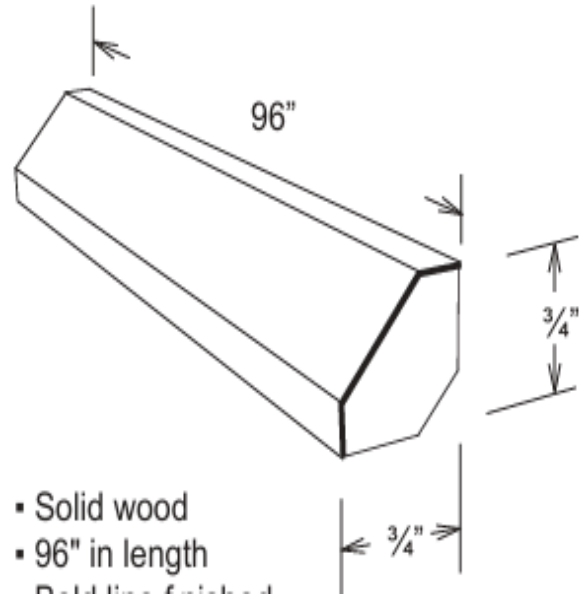
MODIFICATIONS

D&F	FE	RD	ID	RH	RW	MI1	MI2	MI3	RDTK	RCTK	PFG

QUARTER ROUND MOLDING

DIMENSIONS

SKU	WIDTH	HEIGHT	DEPTH
IQR1	1	96	0.75



- Solid wood
- 96" in length

Notes:

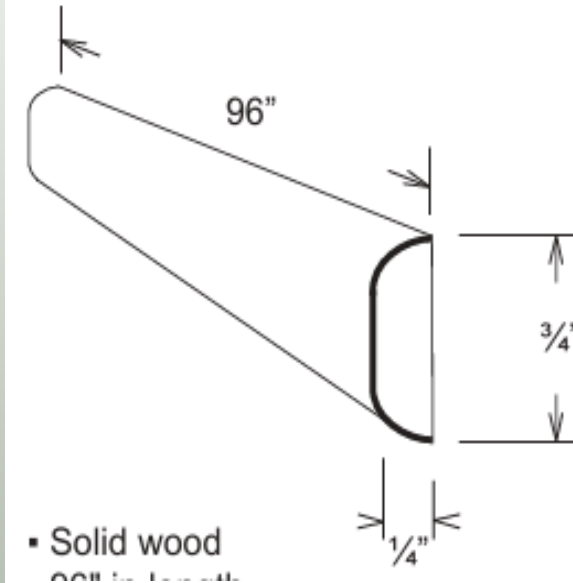
MODIFICATIONS

D&F	FE	RD	ID	RH	RW	MI1	MI2	MI3	RDTK	RCTK	PFG

BATTEN MOLDING

DIMENSIONS

SKU	WIDTH	HEIGHT	DEPTH
BAM	0.75	96	0.25



- Solid wood
- 96" in length

Notes:

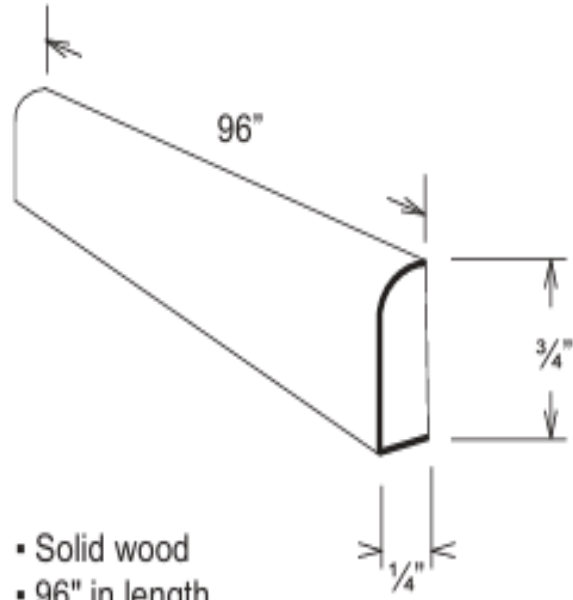
MODIFICATIONS

D&F	FE	RD	ID	RH	RW	MI1	MI2	MI3	RDTK	RCTK	PFG

SCRIBE MOLDING

DIMENSIONS

SKU	WIDTH	HEIGHT	DEPTH
SC	0.75	96	0.25



- Solid wood
- 96" in length

Notes:

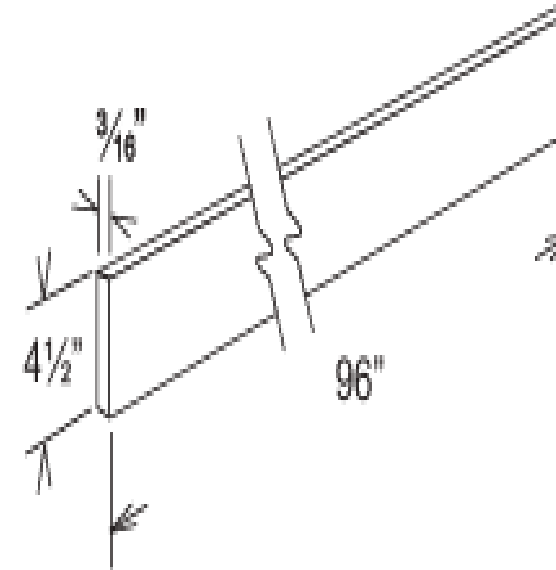
MODIFICATIONS

D&F	FE	RD	ID	RH	RW	MI1	MI2	MI3	RDTK	RCTK	PFG

TOE KICK

DIMENSIONS

SKU	WIDTH	HEIGHT	DEPTH
TK96	4.5	96	0.188

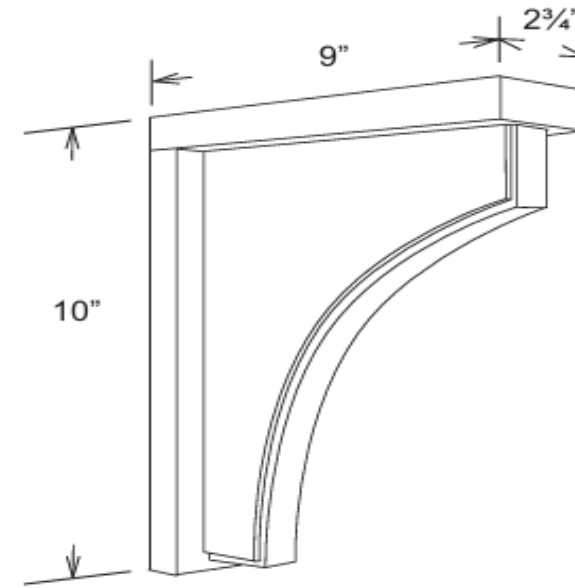


Notes:

MODIFICATIONS

D&F	FE	RD	ID	RH	RW	MI1	MI2	MI3	RDTK	RCTK	PFG

ACCESSORIES



DIMENSIONS

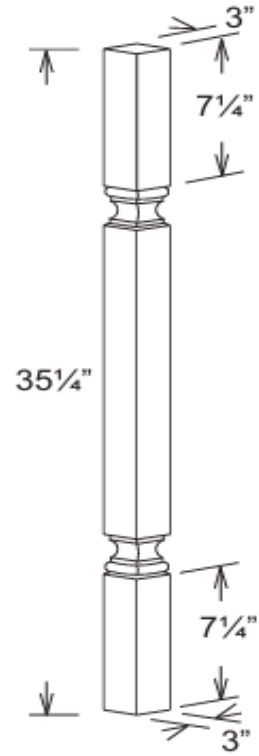
SKU	WIDTH	HEIGHT	DEPTH
CTS	2.75	10	9

Notes:

MODIFICATIONS

D&F	FE	RD	ID	RH	RW	MI1	MI2	MI3	RDTK	RCTK	PFG

POST-SQUARE



DIMENSIONS

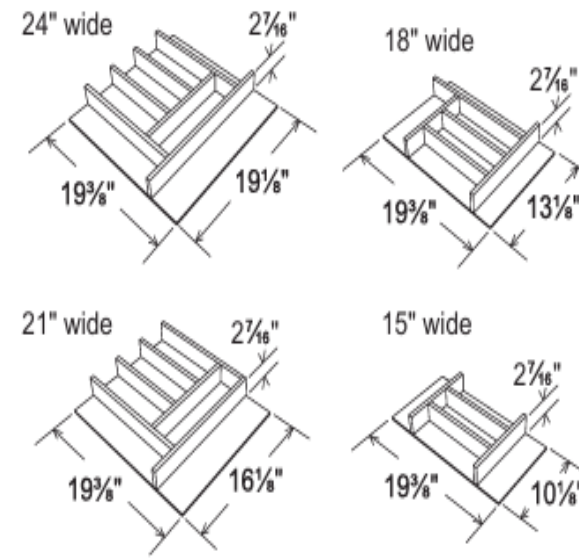
SKU	WIDTH	HEIGHT	DEPTH
PS36	3	35.25	3

Notes:

MODIFICATIONS

D&F	FE	RD	ID	RH	RW	MI1	MI2	MI3	RDTK	RCTK	PFG

CUTLERY TRAY INSERT



DIMENSIONS

SKU	WIDTH	HEIGHT	DEPTH
CTK			

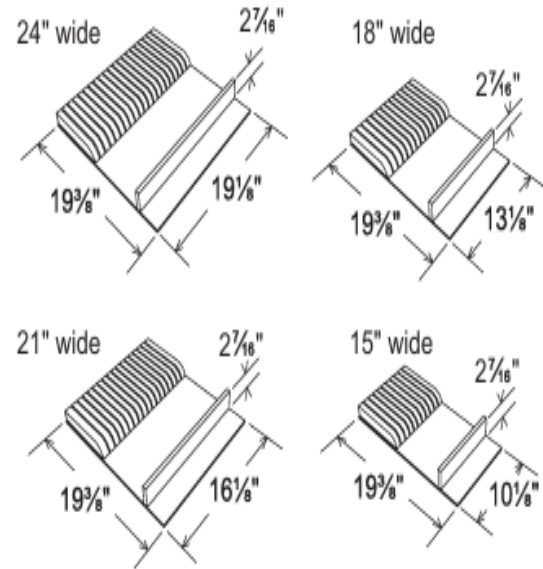
Notes:

MODIFICATIONS

D&F	FE	RD	ID	RH	RW	MI1	MI2	MI3	RDTK	RCTK	PFG

KNIFE BLOCK INSERT

DIMENSIONS



SKU	WIDTH	HEIGHT	DEPTH
KBK			

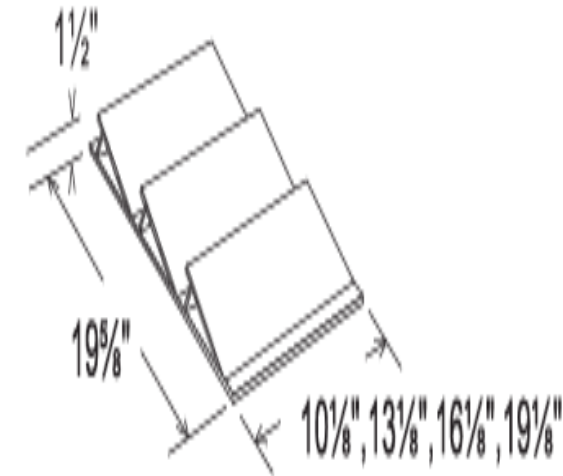
Notes:

MODIFICATIONS

D&F	FE	RD	ID	RH	RW	MI1	MI2	MI3	RDTK	RCTK	PFG

SPICE DRAWER INSERT

DIMENSIONS



SKU	WIDTH	HEIGHT	DEPTH
SDK			

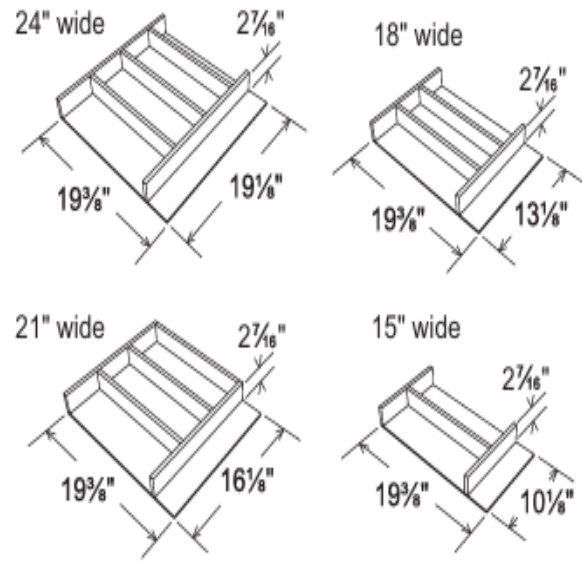
Notes:

MODIFICATIONS

D&F	FE	RD	ID	RH	RW	MI1	MI2	MI3	RDTK	RCTK	PFG

UTENSIL TRAY DRAWER INSERT

DIMENSIONS



SKU	WIDTH	HEIGHT	DEPTH
UTK			

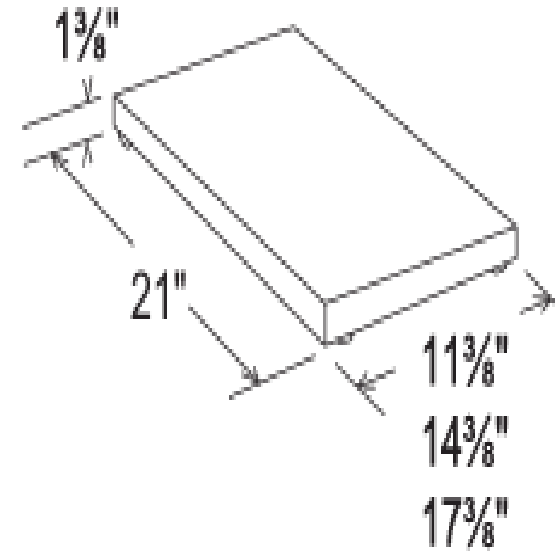
Notes:

MODIFICATIONS

D&F	FE	RD	ID	RH	RW	MI1	MI2	MI3	RDTK	RCTK	PFG

CUTTING BOARD INSERT

DIMENSIONS



SKU	WIDTH	HEIGHT	DEPTH
CBK			

Notes:

MODIFICATIONS

D&F	FE	RD	ID	RH	RW	MI1	MI2	MI3	RDTK	RCTK	PFG

DECORATIVE DOORS

DIMENSIONS



SKU	WIDTH	HEIGHT	DEPTH
BDD24x25.5	23.5	25.5	0.75
BDD24X30	23.5	29.25	0.75
WDD1212	11.5	11	0.75
WDD1215	11.5	14	0.75
WDD1218	11.5	17	0.75
WDD1221	11.5	20	0.75
WDD1224	11.5	23	0.75
WDD1230	11.5	29	0.75
WDD1236	11.5	35	0.75
WDD1239	11.5	38	0.75
WDD1242	11.5	41	0.75
WDD1250	11.5	49	0.75

- WDD1230** - for wall or upper pantry 30" H & Base End Angle (BEA)
- WDD1236** - for wall or upper pantry 36" H
- WDD1239** - for wall or upper pantry 39" H
- WDD1242** - for wall or upper pantry 42" H
- WDD1250** - for lower utility
- WDD2430** - for base cabinet
- WDD1212** - for wall 12" H
- WDD1215** - for wall 15" H
- WDD1218** - for wall 18" H
- WDD1221** - for wall 21" H
- WDD1224** - for wall 21" H

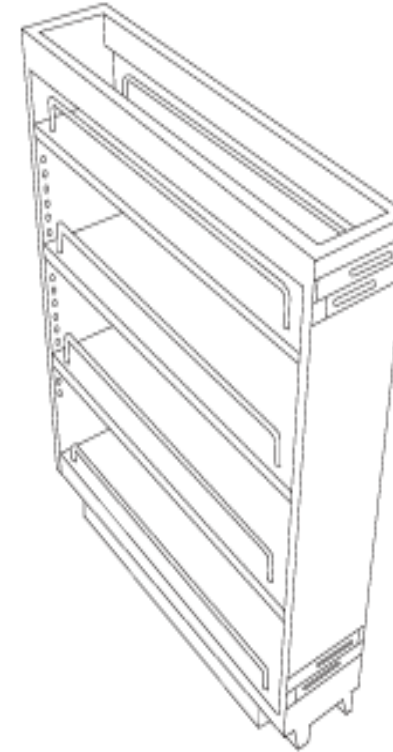
Notes:

MODIFICATIONS

D&F	FE	RD	ID	RH	RW	MI1	MI2	MI3	RDTK	RCTK	PFG

SPICE RACK INSERT

DIMENSIONS



SKU	WIDTH	HEIGHT	DEPTH
SP09			
SP12			

Notes:

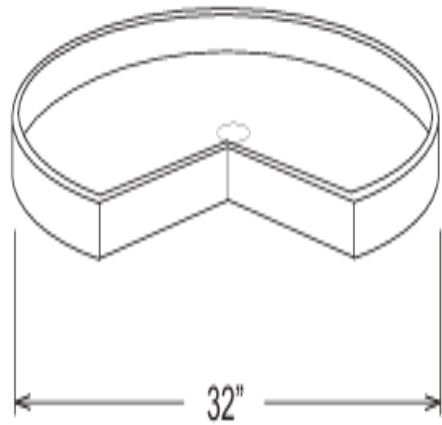
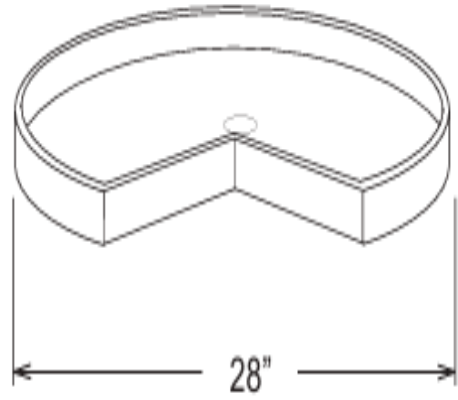
MODIFICATIONS

D&F	FE	RD	ID	RH	RW	MI1	MI2	MI3	RDTK	RCTK	PFG

LAZY SUSAN CAROUSEL UNIT

DIMENSIONS

SKU	WIDTH	HEIGHT	DEPTH
LS28	28		
LS32	32		



Notes:

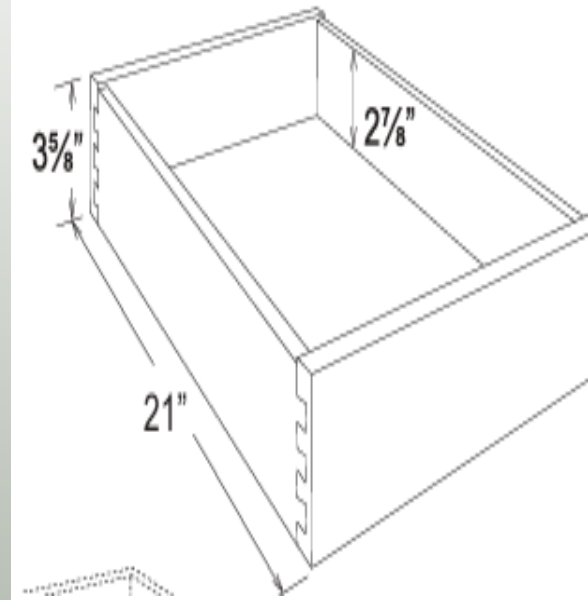
MODIFICATIONS

D&F	FE	RD	ID	RH	RW	MI1	MI2	MI3	RDTK	RCTK	PFG

ROLL OUT TRAY - A STYLE

DIMENSIONS

SKU	WIDTH	HEIGHT	DEPTH
ROT12-A	12	3.625	21
ROT15-A	15	3.625	21
ROT18-A	18	3.625	21
ROT21-A	21	3.625	21
ROT24-A	24	3.625	21
ROT27-A	27	3.625	21
ROT30-A	30	3.625	21
ROT33-A	33	3.625	21
ROT36-A	36	3.625	21

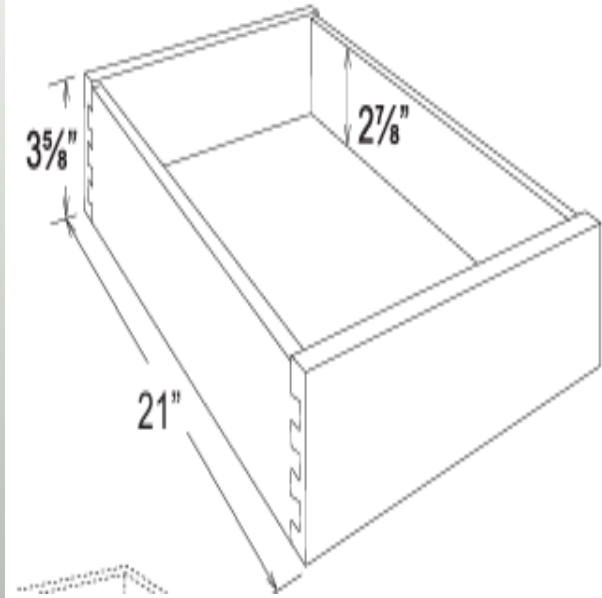


Notes:

MODIFICATIONS

D&F	FE	RD	ID	RH	RW	MI1	MI2	MI3	RDTK	RCTK	PFG

ROLL OUT TRAY - B STYLE



DIMENSIONS

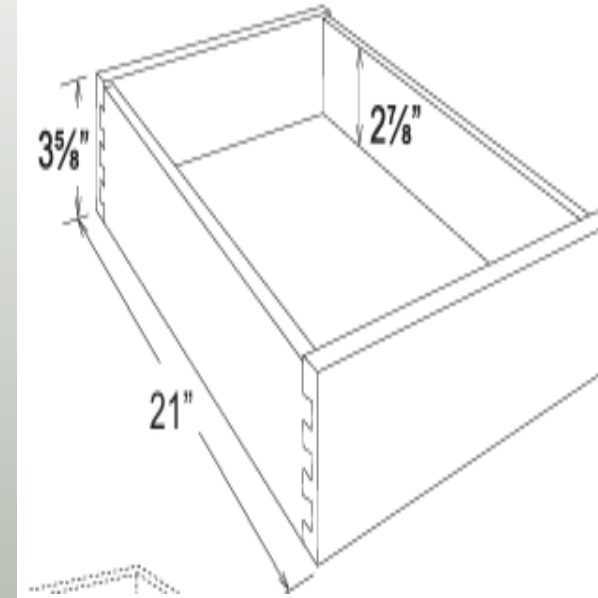
SKU	WIDTH	HEIGHT	DEPTH
ROT12-B	12	3.625	21
ROT15-B	15	3.625	21
ROT18-B	18	3.625	21
ROT21-B	21	3.625	21
ROT24-B	24	3.625	21
ROT27-B	27	3.625	21
ROT30-B	30	3.625	21
ROT33-B	33	3.625	21
ROT36-B	36	3.625	21

Notes:

MODIFICATIONS

D&F	FE	RD	ID	RH	RW	MI1	MI2	MI3	RDTK	RCTK	PFG

ROLL OUT TRAY - C STYLE



DIMENSIONS

SKU	WIDTH	HEIGHT	DEPTH
ROT12-C	12	3.625	21
ROT15-C	15	3.625	21
ROT18-C	18	3.625	21
ROT21-C	21	3.625	21
ROT24-C	24	3.625	21
ROT27-C	27	3.625	21
ROT30-C	30	3.625	21
ROT33-C	33	3.625	21
ROT36-C	36	3.625	21

Notes:

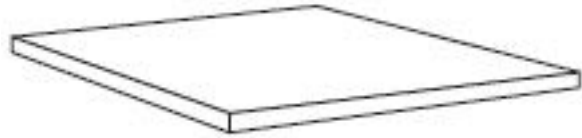
MODIFICATIONS

D&F	FE	RD	ID	RH	RW	MI1	MI2	MI3	RDTK	RCTK	PFG

SHELF FOR 12 DEEP CABINET

DIMENSIONS

SKU	WIDTH	HEIGHT	DEPTH
SH-1212	12	0.75	12
SH-1512	15	0.75	12
SH-1812	18	0.75	12
SH-2112	21	0.75	12
SH-2412	24	0.75	12
SH-2712	27	0.75	12
SH-3012	30	0.75	12
SH-3312	33	0.75	12
SH-3612	36	0.75	12
SH-3912	39	0.75	12
SH-4212	42	0.75	12
SH-7212	72	0.75	12.75
SH-912	9	0.75	12



Notes:

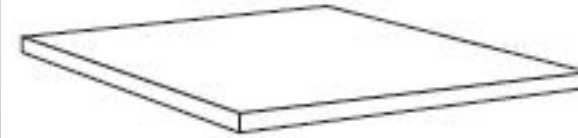
MODIFICATIONS

D&F	FE	RD	ID	RH	RW	MI1	MI2	MI3	RDTK	RCTK	PFG

SHELF FOR 24 DEEP CABINET

DIMENSIONS

SKU	WIDTH	HEIGHT	DEPTH
SH-1224	12	0.75	24
SH-1524	15	0.75	24
SH-1824	18	0.75	24
SH-2124	21	0.75	24
SH-2424	24	0.75	24
SH-2724	27	0.75	24
SH-3024	30	0.75	24
SH-3324	33	0.75	24
SH-3624	36	0.75	24
SH-3924	39	0.75	24
SH-4224	42	0.75	24
SH-924	9	0.75	24



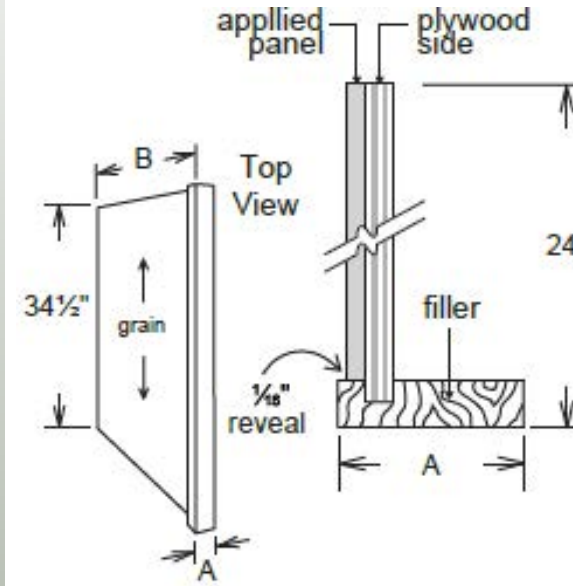
Notes:

MODIFICATIONS

D&F	FE	RD	ID	RH	RW	MI1	MI2	MI3	RDTK	RCTK	PFG

PANELS / SKINS

DISHWASHER RETURN PANEL



DIMENSIONS

	A	B
24" Depth		
BEP3	3"	24"
30" Depth		
BEP330	3"	30"

Notes:

MODIFICATIONS

D&F	FE	RD	ID	RH	RW	MI1	MI2	MI3	RDTK	RCTK	PFG

DIMENSIONS

SKU	WIDTH	HEIGHT	DEPTH	PAGE NAME
BP4848.25	48	48	0.25	PANEL - 1/4"
BP9648.25	96	48	0.25	PANEL - 1/4"
BS24	24	34.5	0.25	SKIN - BASE
PNL2435.75	24	34.5	0.75	PANEL - 3/4"
TS2496	24	96	0.25	SKIN - TALL
WS1230	12	30	0.25	SKIN - WALL
WS1236	12	36	0.25	SKIN - WALL
WS1239	12	39	0.25	SKIN - WALL
WS1242	12	42	0.25	SKIN - WALL
WS1539	15	39	0.25	SKIN - WALL
WS1542	15	42	0.25	SKIN - WALL

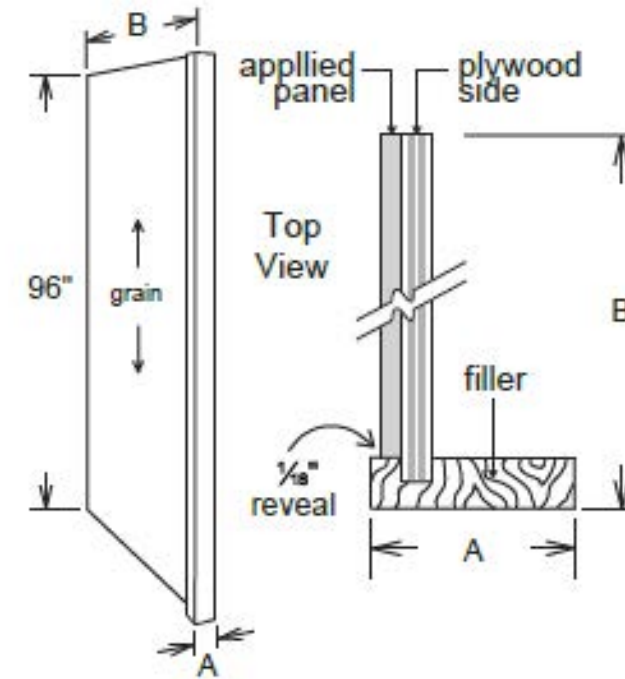
Notes:

MODIFICATIONS

D&F	FE	RD	ID	RH	RW	MI1	MI2	MI3	RDTK	RCTK	PFG

DIMENSIONS

SKU	WIDTH	HEIGHT	DEPTH
REP1.593	1.5	93	24
REP1.59330	1.5	93	30
REP1.596	1.5	93	24
REP1.59630	1.5	96	30
REP396	3	96	24



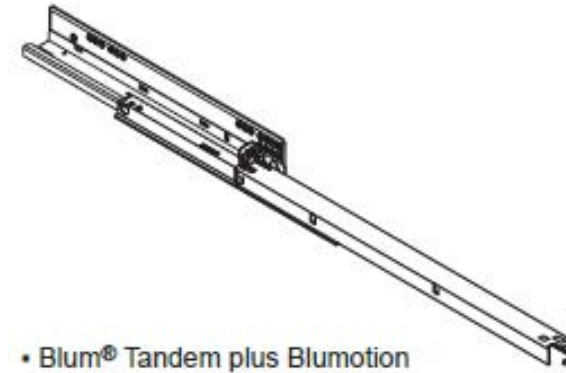
Notes:

MODIFICATIONS

D&F	FE	RD	ID	RH	RW	MI1	MI2	MI3	RDTK	RCTK	PFG

HARDWARE / MISC

DIMENSIONS



• Blum® Tandem plus Blumotion

SKU	WIDTH	HEIGHT	DEPTH
GLIDE-9	N/A	N/A	6
GLIDE-12	N/A	N/A	9
GLIDE-15	N/A	N/A	12
GLIDE-18	N/A	N/A	15
GILDE-21	N/A	N/A	18
GLIDE-9-Blum	N/A	N/A	6
GLIDE-12-Blum	N/A	N/A	9
GLIDE-15-Blum	N/A	N/A	12
GLIDE-18-Blum	N/A	N/A	15
GILDE-21-Blum	N/A	N/A	18

Notes:

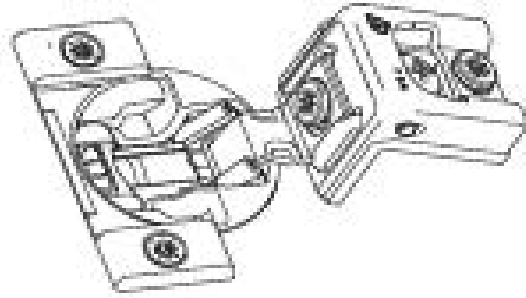
MODIFICATIONS

D&F	FE	RD	ID	RH	RW	MI1	MI2	MI3	RDTK	RCTK	PGF

MODIFICATIONS
MODIFICATIONS

MODIFICATIONS

DIMENSIONS



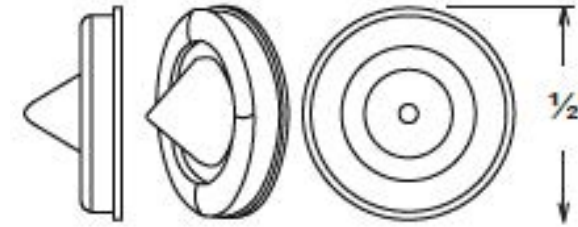
SKU	WIDTH	HEIGHT	DEPTH
HINGE-STANDARD	N/A	N/A	N/A
HINGE-LSB	N/A	N/A	N/A
HINGE-BLUM	N/A	N/A	N/A

Notes:

MODIFICATIONS

D&F	FE	RD	ID	RH	RW	MI1	MI2	MI3	RDTK	RCTK	PFG

DIMENSIONS



SKU	WIDTH	HEIGHT	DEPTH
Q-BUMPER	0.5	N/A	N/A

Notes:

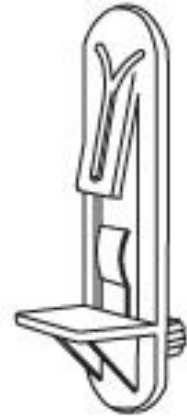
MODIFICATIONS

D&F	FE	RD	ID	RH	RW	MI1	MI2	MI3	RDTK	RCTK	PFG

SHELF CLIP

DIMENSIONS

SKU	WIDTH	HEIGHT	DEPTH
SH-CLIP	N/A	N/A	N/A



Notes:

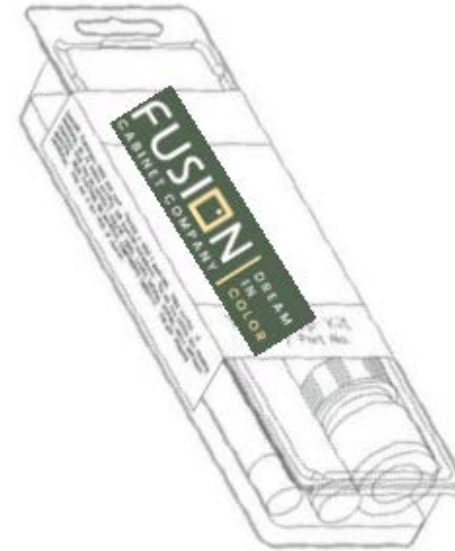
MODIFICATIONS

D&F	FE	RD	ID	RH	RW	MI1	MI2	MI3	RDTK	RCTK	PFG

TOUCH UP KIT

DIMENSIONS

SKU	WIDTH	HEIGHT	DEPTH
TUK	N/A	N/A	N/A



Notes:

MODIFICATIONS

D&F	FE	RD	ID	RH	RW	MI1	MI2	MI3	RDTK	RCTK	PFG



DIMENSIONS

SKU	WIDTH	HEIGHT	DEPTH
SPRAY PAINT	N/A	N/A	N/A

Notes:

MODIFICATIONS

D&F	FE	RD	ID	RH	RW	MI1	MI2	MI3	RDTK	RCTK	PFG



DIMENSIONS

SKU	WIDTH	HEIGHT	DEPTH
SD1115	11	15	0.75

Notes:

MODIFICATIONS

D&F	FE	RD	ID	RH	RW	MI1	MI2	MI3	RDTK	RCTK	PFG

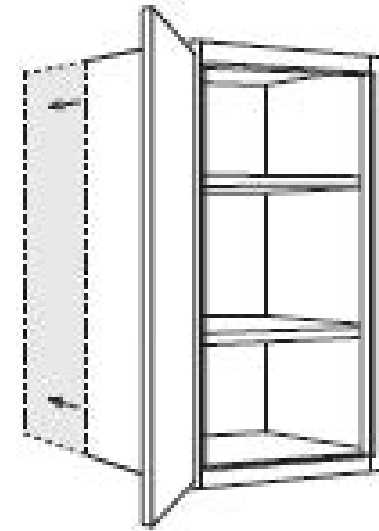
MODIFICATIONS

ID - INCREASED DEPTH

DIMENSIONS

SKU	WIDTH	HEIGHT	DEPTH
MOD-ID	N/A	N/A	N/A

▪ Increased Depth option is available in 1" increments



Cabinet Type

Wall
Wall
Base (n/a with drawers/ROTs)
Tall (ROT not available)
Tall (24" Deep)

Availability

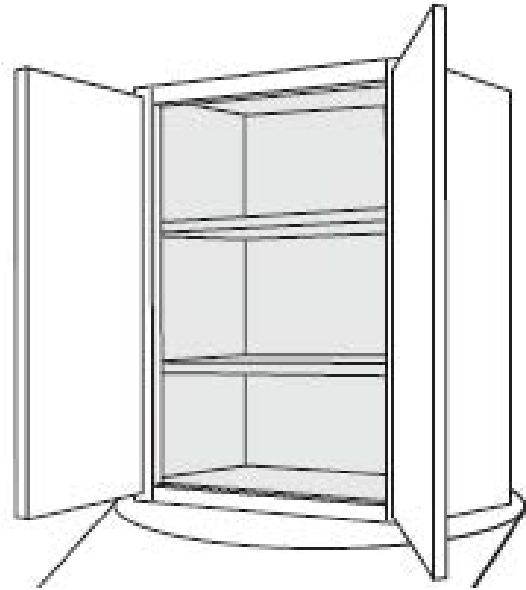
13" - 24"
25" - 30"
25" - 30"
25" - 30"
25" - 30"

Notes:

MODIFICATIONS

D&F	FE	RD	ID	RH	RW	MI1	MI2	MI3	RDTK	RCTK	PGF

MI - MATCHING INTERIOR



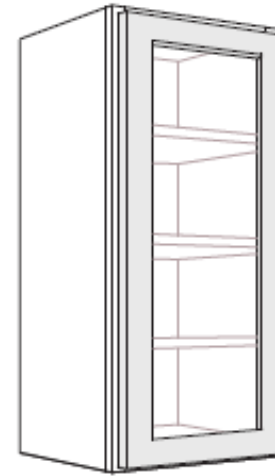
- Matching Interior includes *interior* cabinet sides, top, bottom, back, and shelves.
- Standard color Matching Interior material features easy clean, non-porous sanitary melamine and is a representation of exterior color and wood species.

Notes:

MODIFICATIONS

D&F	FE	RD	ID	RH	RW	MI1	MI2	MI3	RDTK	RCTK	PFG

PFG - PREP FOR GLASS



- Matching Interior (MI) is **not** standard
- Not available on 9" wide cabinets
- Insert/Glass Fasteners are **not** included

Notes:

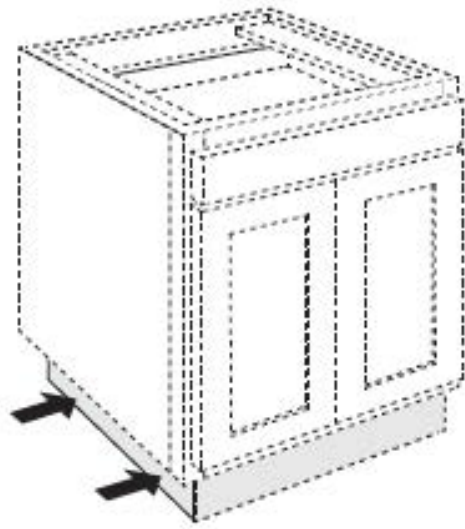
MODIFICATIONS

D&F	FE	RD	ID	RH	RW	MI1	MI2	MI3	RDTK	RCTK	PFG

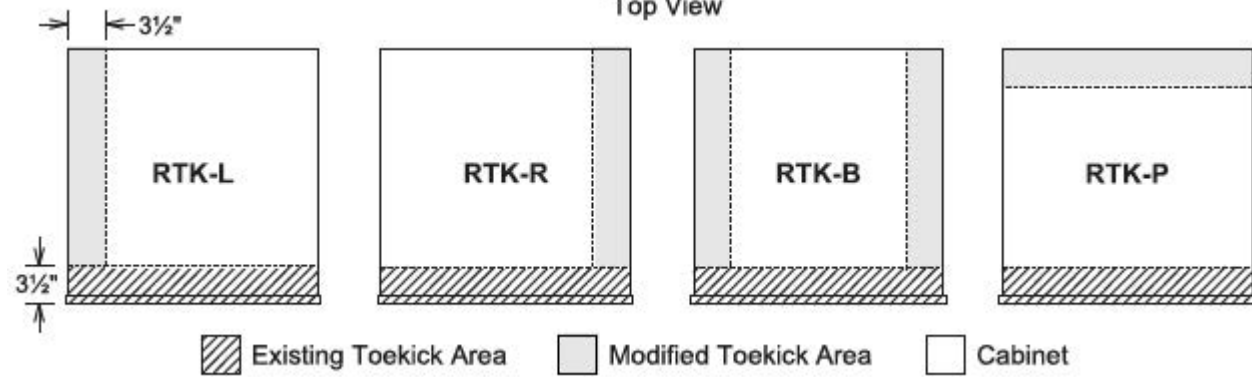
RCTK - RECESSED TOEKICK

DIMENSIONS

SKU	WIDTH	HEIGHT	DEPTH
MOD-RCTK	N/A	N/A	N/A



Top View



Notes:

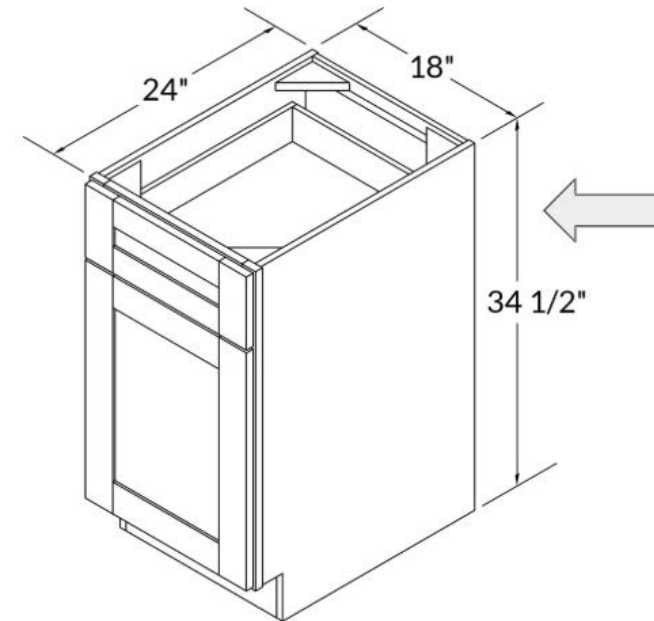
MODIFICATIONS

D&F	FE	RD	ID	RH	RW	MI1	MI2	MI3	RDTK	RCTK	PFG

RH - REDUCED HEIGHT

DIMENSIONS

SKU	WIDTH	HEIGHT	DEPTH
MOD-RH	N/A	N/A	N/A

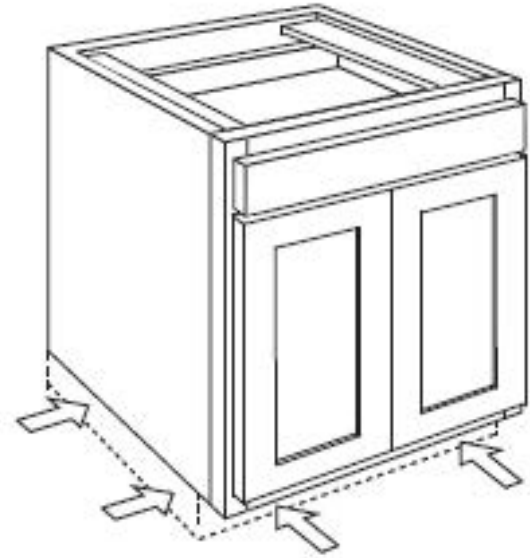


Notes:

MODIFICATIONS

D&F	FE	RD	ID	RH	RW	MI1	MI2	MI3	RDTK	RCTK	PFG

RDTK - REDUCED TOE KICK HEIGHT



DIMENSIONS

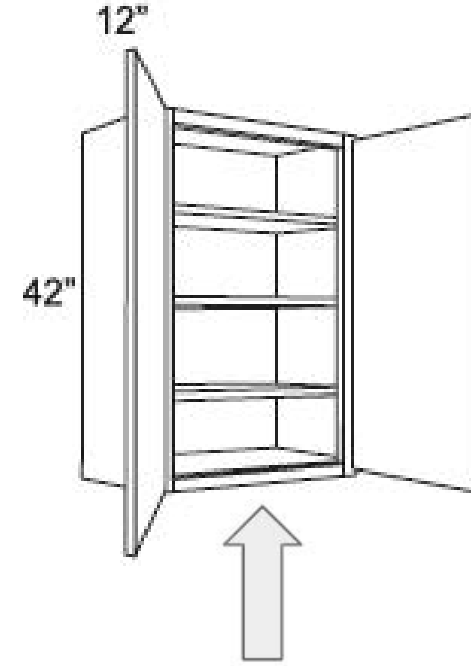
SKU	WIDTH	HEIGHT	DEPTH
MOD-RDTK	N/A	N/A	N/A

Notes:

MODIFICATIONS

D&F	FE	RD	ID	RH	RW	MI1	MI2	MI3	RDTK	RCTK	PFG

RW - REDUCED WIDTH



DIMENSIONS

SKU	WIDTH	HEIGHT	DEPTH
MOD-RW	N/A	N/A	N/A

Notes:

MODIFICATIONS

D&F	FE	RD	ID	RH	RW	MI1	MI2	MI3	RDTK	RCTK	PFG



Fusion Cabinet Company
6800 W Van Buren St.
Phoenix, AZ 85043
Tel 602-730-9225
sales@fusioncabinetcompany.com
www.FusionCabinetCompany.com

FEBRUARY 2026